

Bellows suction cup (round)

<https://www.schmalz.com/10.01.06.00120>



FSGA 150 NBR-70 G1/2-IG

Part no.: 10.01.06.00120

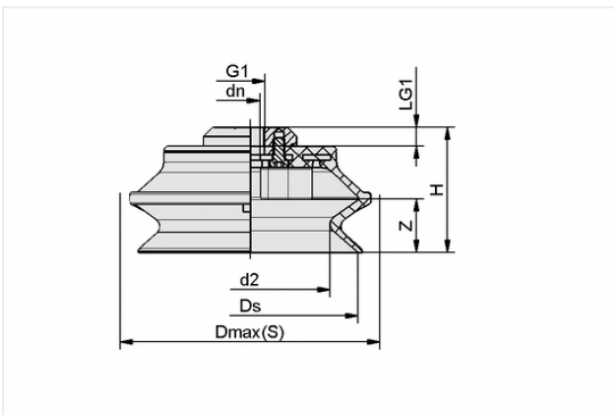
Homepage > Vacuum Technology for Automation > Vacuum Components > Vacuum Suction Cups > Bellows Suction Cups (Round) > FSGA 150 NBR-70 G1/2-IG

Bellows suction cup (round) with optimal adaptation to uneven surfaces



Size: 150
Number of folds: 1.5
Suction cup material:
Nitrile rubber NBR
Material hardness: 70 °Sh
Nipple material: Aluminium
Vacuum connection: G1/2-F

Design Data



Attribute	Value
-----------	-------

dn	13.5 mm
----	---------

d2	111 mm
----	--------

Dmax(S)	177 mm
---------	--------

Ds	150 mm
----	--------

G1	G1/2"-F
----	---------

H	88.5 mm
---	---------

LG1	13 mm
-----	-------

Z	37.5 mm
---	---------

Technical Data

Contact to Schmalz

J. Schmalz GmbH | Johannes-Schmalz-Straße, 72293 Glatten, Deutschland | +49 7443 2403-102 | customercenter@schmalz.de

Attribute	Value
Suction force	570 N
Pull-off force	1000 N
Volume	800 cm ³
Curve radius (min) (convex)	250 mm
Internal hose diameter (recom.)	12 mm
Size	150
Nipple	N 010
Suction cup material	Nitrile rubber NBR
Material hardness	70 °Sh
Weight	801.5 g
Number of folds	1.5
Product family	FSGA

Spare Parts



SA-NIP N010 G1/2-IG

Part no. 10.01.01.00796

Suction-pad connection nipple pre-assembly

Nipple: N 010

Thread 1: G1/2-F

Length: 13 mm

for: Flat suction pad PFG



FGA 150 NBR-70 N010

Part no. 10.01.06.00116

Bellows suction cup (round) with optimal adaptation to uneven surfaces

Size: 150

Suction cup material:

Nitrile rubber NBR

Material hardness: 70 °Sh

Number of folds: 1.5