

# Bellows suction cup (round)

<https://www.schmalz.com/10.01.06.00114>



## FGA 110 NBR-70 N010

Part no.: 10.01.06.00114

Homepage > Vacuum Technology for Automation > Vacuum Components > Vacuum Suction Cups > Bellows Suction Cups (Round) > FGA 110

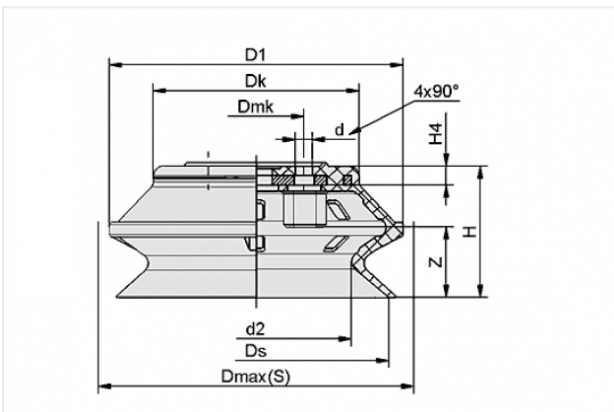
NBR-70 N010

### Bellows suction cup (round) with optimal adaptation to uneven surfaces



Size: 110  
Suction cup material:  
Nitrile rubber NBR  
Material hardness: 70 °Sh  
Number of folds: 1.5

#### Design Data



Attribute	Value
-----------	-------

d	7 mm
d2	80 mm
D1	123 mm
Dk	86 mm
Dmax(S)	130 mm
D mk	40 mm
Ds	111 mm
H	55 mm
H4	8 mm
Z	29.5 mm

#### Contact to Schmalz

J. Schmalz GmbH | Johannes-Schmalz-Straße, 72293 Glatten, Deutschland | +49 7443 2403-102 | [customercenter@schmalz.de](mailto:customercenter@schmalz.de)

## Technical Data

Attribute	Value
Number of folds	1.5
Suction force	280 N
Size	110
Suction cup material	Nitrile rubber NBR
Material hardness	70 °Sh
Weight	278.1 g
Curve radius (min) (convex)	85 mm
Product family	FGA

## Accessories



### SA-NIP N010 G1/2-IG

Part no. 10.01.01.00796

Suction-pad connection nipple pre-assembly

Nipple: N 010

Thread 1: G1/2-F

Length: 13 mm

for: Flat suction pad PFG