

# Bellows suction cup (round)

<https://www.schmalz.com/10.01.06.00118>



## FSGA 110 NBR-70 G1/2-IG

Part no.: 10.01.06.00118

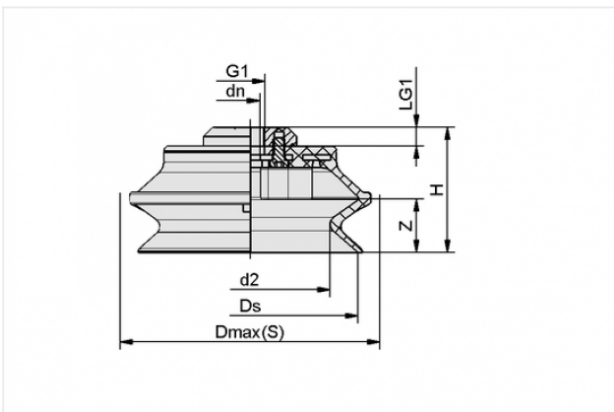
Homepage > Vacuum Technology for Automation > Vacuum Components > Vacuum Suction Cups > Bellows Suction Cups (Round) > Bellows Suction Cups FSGA (1.5 Folds) from Ø110 mm > FSGA 110 NBR-70 G1/2-IG

### Bellows suction cup (round) with optimal adaptation to uneven surfaces



Size: 110  
Number of folds: 1.5  
Suction cup material:  
Nitrile rubber NBR  
Material hardness: 70 °Sh  
Nipple material: Aluminium  
Vacuum connection: G1/2-F

#### Design Data



Attribute	Value
-----------	-------

dn	13.5 mm
----	---------

d2	80 mm
----	-------

Dmax(S)	130 mm
---------	--------

Ds	111 mm
----	--------

G1	G1/2"-F
----	---------

H	69.5 mm
---	---------

LG1	13 mm
-----	-------

Z	29 mm
---	-------

#### Technical Data

#### Contact to Schmalz

J. Schmalz GmbH | Johannes-Schmalz-Straße, 72293 Glatten, Deutschland | +49 7443 2403-102 | [customercenter@schmalz.de](mailto:customercenter@schmalz.de)

Attribute	Value
Suction force	280 N
Pull-off force	570 N
Volume	330 cm <sup>3</sup>
Curve radius (min) (convex)	85 mm
Internal hose diameter (recom.)	12 mm
Size	110
Nipple	N 010
Suction cup material	Nitrile rubber NBR
Material hardness	70 °Sh
Weight	358.3 g
Number of folds	1.5
Product family	FSGA

**Note:**

- Suction force: The specified suction forces are theoretical values at a vacuum of -0.6 bar and with a smooth, dry workpiece surface - they do not include a safety factor
- Hose diameter: The recommended hose diameter refers to a hose length of approx. 2 m

**Spare Parts**



**SA-NIP N010 G1/2-IG**

Part no. 10.01.01.00796

Suction-pad connection nipple pre-assembly

Nipple: N 010

Thread 1: G1/2-F

Length: 13 mm

for: Flat suction pad PFG



**FGA 110 NBR-70 N010**

Part no. 10.01.06.00114

Bellows suction cup (round) with optimal adaptation to uneven surfaces

Size: 110

Suction cup material:

Nitrile rubber NBR

Material hardness: 70 °Sh

Number of folds: 1.5