

Suction cup connection disc

SA-SCHE 77 G1/2-IG FSGA

<https://www.schmalz.com/10.01.06.00593>



Part no.: 10.01.06.00593

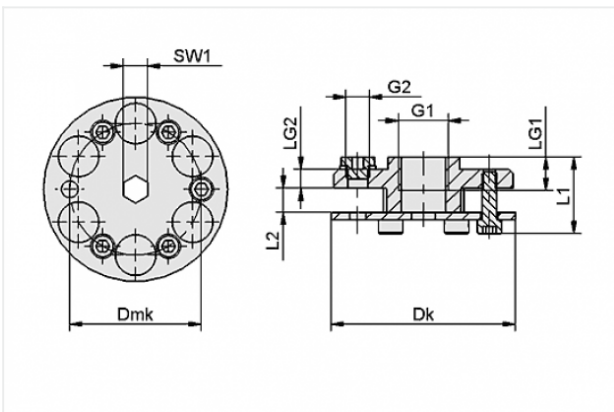
Homepage > Vacuum Technology for Automation > Vacuum Components > Vacuum Suction Cups > Bellows Suction Cups (Round) > SA-SCHE 77 G1/2-IG FSGA

Suction cup connection disc



External diameter D: 77 mm
Thread G1: G1/2-F
for: Flat suction pad FSGA

Design Data



Attribute	Value
D	77 mm
G1	G1/2"-F
L1	32 mm
L2	10 mm
LG1	14 mm
SW1	10 mm

Technical Data

Attribute	Value
Weight	212.6 g

Contact to Schmalz

J. Schmalz GmbH | Johannes-Schmalz-Straße, 72293 Glatten, Deutschland | +49 7443 2403-102 | customercenter@schmalz.de



Contact to Schmalz

J. Schmalz GmbH | Johannes-Schmalz-Straße, 72293 Glatten, Deutschland | +49 7443 2403-102 |
customercenter@schmalz.de