

Bellows suction cup (round)

<https://www.schmalz.com/10.01.06.00497>



FSGA 110 VU1-72 G1/2-IG ON

Part no.: 10.01.06.00497

Homepage > Vacuum Technology for Automation > Vacuum Components > Vacuum Suction Cups > Bellows Suction Cups (Round) > Bellows

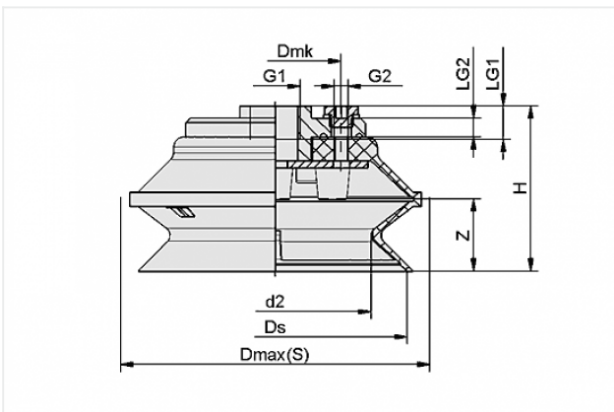
Suction Cups FSGA VU1 (1.5 Folds) > FSGA 110 VU1-72 G1/2-IG ON

Bellows suction cup (round) with optimal adaptation to uneven surfaces



Size: 110
Number of folds: 1.5
Suction cup material: Vulkollan VU1
Material hardness: 72 °Sh
Vacuum connection: G1/2-F
Additional feature: Oil groove

Design Data



Attribute	Value
-----------	-------

d2	80 mm
Dmax(S)	127 mm
D mk	55 mm
Ds	110 mm
G1	G1/2"-F
G2	G1/8"-F
H	69 mm
LG1	14 mm
LG2	8 mm
Z	30 mm

Contact to Schmalz

J. Schmalz GmbH | Johannes-Schmalz-Straße, 72293 Glatten, Deutschland | +49 7443 2403-102 | customercenter@schmalz.de

Technical Data

Attribute	Value
Suction force	295 N
Pull-off force	420 N
Volume	350 cm ³
Curve radius (min) (convex)	100 mm
Internal hose diameter (recom.)	9 mm
Size	110
Nipple	N 037
Suction cup material	Vulkollan VU1
Material hardness	72 °Sh
Weight	332.2 g
Number of folds	1.5
Product family	FSGA

Note:

- Suction force: The specified suction forces are theoretical values at a vacuum of -0.6 bar and with a smooth, dry workpiece surface - they do not include a safety factor
- Hose diameter: The recommended hose diameter refers to a hose length of approx. 2 m

Spare Parts

Contact to Schmalz



SA-SCHE 77 G1/2-IG FSGA

Part no. 10.01.06.00593
Suction cup connection disc
External diameter D: 77 mm
Thread G1: G1/2-F
for: Flat suction pad FSGA



FGA 110 VU1-72 N037 ON

Part no. 10.01.06.00492
Bellows suction cup (round) with optimal adaptation to uneven surfaces
Size: 110
Suction cup material: Vulkollan VU1
Material hardness: 72 °Sh
Number of folds: 1.5
Additional feature: Oil groove

Accessories



SA-SCHE 77 G1/2-IG FSGA

Part no. 10.01.06.00593
Suction cup connection disc
External diameter D: 77 mm
Thread G1: G1/2-F
for: Flat suction pad FSGA