

# Bellows suction cup (round)

<https://www.schmalz.com/10.01.06.00199>



FSGA 85 VU1-72 G1/4-AG ON

Part no.: 10.01.06.00199

Homepage > Vacuum Technology for Automation > Vacuum Components > Vacuum Suction Cups > Bellows Suction Cups (Round) > Bellows

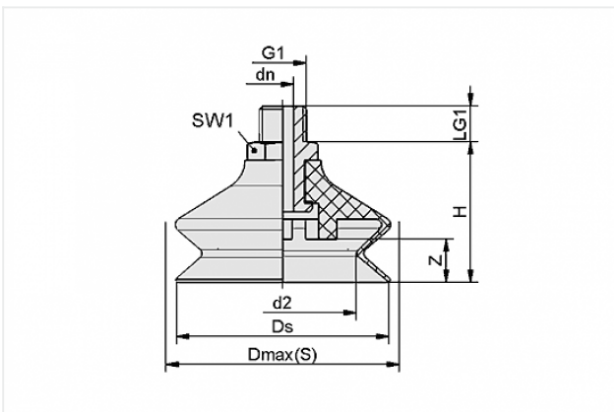
Suction Cups FSGA VU1 (1.5 Folds) > FSGA 85 VU1-72 G1/4-AG ON

## Bellows suction cup (round) with optimal adaptation to uneven surfaces



Size: 85  
Number of folds: 1.5  
Suction cup material: Vulkollan VU1  
Material hardness: 72 °Sh  
Nipple material: Aluminium  
Vacuum connection: G1/4-M  
Additional feature: Oil groove

### Design Data



Attribute	Value
-----------	-------

d2	50.2 mm
----	---------

dn	6 mm
----	------

Dmax(S)	86.5 mm
---------	---------

Ds	82.5 mm
----	---------

G1	G1/4"-M
----	---------

H	52 mm
---	-------

LG1	10 mm
-----	-------

SW1	22 mm
-----	-------

Z	15 mm
---	-------

### Contact to Schmalz

J. Schmalz GmbH | Johannes-Schmalz-Straße, 72293 Glatten, Deutschland | +49 7443 2403-102 | [customercenter@schmalz.de](mailto:customercenter@schmalz.de)

## Technical Data

Attribute	Value
Suction force	140 N
Pull-off force	250 N
Volume	78 cm <sup>3</sup>
Curve radius (min) (convex)	80 mm
Internal hose diameter (recom.)	6 mm
Size	85
Nipple	N 015
Suction cup material	Vulkollan VU1
Material hardness	72 °Sh
Weight	108.9 g
Number of folds	1.5
Product family	FSGA

### Note:

- Suction force: The specified suction forces are theoretical values at a vacuum of -0.6 bar and with a smooth, dry workpiece surface - they do not include a safety factor
- Hose diameter: The recommended hose diameter refers to a hose length of approx. 2 m

## Spare Parts

### Contact to Schmalz



**SA-NIP N015 G1/4-AG DN600**

Part no. 10.01.06.00185

Suction cup connection nipple

Nipple: N 015

Thread G1: G1/4-M

Overall length: 37.5 mm

Fitting length: 5 mm

Nominal size: 6,00 mm

Material: Aluminium

Spanner size SW2: 6 mm



**FGA 85 VU1-72 N015 ON**

Part no. 10.01.06.00190

Bellows suction cup (round) with optimal adaptation to uneven surfaces

Size: 85

Suction cup material: Vulkollan VU1

Material hardness: 72 °Sh

Number of folds: 1.5

Additional feature: Oil groove