

# Bellows suction cup (round)

<https://www.schmalz.com/10.01.06.00179>



## FGA 85 VU1-72 N015

Part no.: 10.01.06.00179

Homepage > Vacuum Technology for Automation > Vacuum Components > Vacuum Suction Cups > Bellows Suction Cups (Round) > FGA 85

VU1-72 N015

### Bellows suction cup (round) with optimal adaptation to uneven surfaces



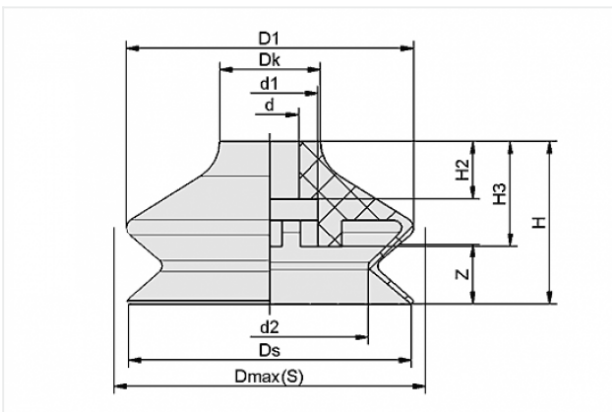
Size: 85

Suction cup material: Vulkollan VU1

Material hardness: 72 °Sh

Number of folds: 1.5

### Design Data



Attribute	Value
-----------	-------

d	12 mm
---	-------

d1	25 mm
----	-------

d2	55 mm
----	-------

D1	85 mm
----	-------

Dk	25 mm
----	-------

Dmax(S)	86.5 mm
---------	---------

Ds	82 mm
----	-------

H	47 mm
---	-------

H2	20 mm
----	-------

H3	25 mm
----	-------

Z	15 mm
---	-------

### Contact to Schmalz

J. Schmalz GmbH | Johannes-Schmalz-Straße, 72293 Glatten, Deutschland | +49 7443 2403-102 | [customercenter@schmalz.de](mailto:customercenter@schmalz.de)

## Technical Data

Attribute	Value
Number of folds	1.5
Suction force	140 N
Pull-off force	250 N
Volume	80.21 cm <sup>3</sup>
Curve radius (min) (convex)	80 mm
Size	85
Suction cup material	Vulkollan VU1
Weight	93.3 g
Curve radius (min) (convex)	80 mm
Product family	FGA

## Accessories



### SA-NIP N015 G1/4-IG DN600

Part no. 10.01.06.00182

Suction cup connection nipple

Nipple: N 015

Thread G1: G1/4-F

Overall length: 37.5 mm

Fitting length: 15 mm

Nominal size: 6,00 mm

Material: Aluminium

Spanner size SW2: 6 mm



**SA-NIP N015 G1/4-AG DN600**

Part no. 10.01.06.00185

Suction cup connection nipple

Nipple: N 015

Thread G1: G1/4-M

Overall length: 37.5 mm

Fitting length: 5 mm

Nominal size: 6,00 mm

Material: Aluminium

Spanner size SW2: 6 mm