

Bellows suction cup (round)

<https://www.schmalz.com/10.01.06.00198>



FSGA 60 VU1-72 G1/4-AG ON

Part no.: 10.01.06.00198

Homepage > Vacuum Technology for Automation > Vacuum Components > Vacuum Suction Cups > Bellows Suction Cups (Round) > Bellows

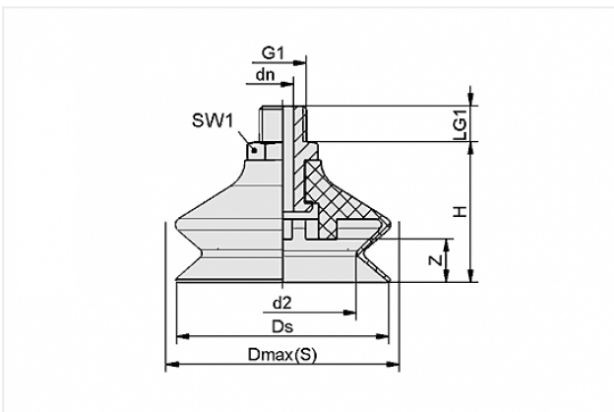
Suction Cups FSGA VU1 (1.5 Folds) > FSGA 60 VU1-72 G1/4-AG ON

Bellows suction cup (round) with optimal adaptation to uneven surfaces



Size: 60
Number of folds: 1.5
Suction cup material: Vulkollan VU1
Material hardness: 72 °Sh
Nipple material: Aluminium
Vacuum connection: G1/4-M
Additional feature: Oil groove

Design Data



Attribute	Value
-----------	-------

d2	40 mm
----	-------

dn	6 mm
----	------

Dmax(S)	61.5 mm
---------	---------

Ds	57 mm
----	-------

G1	G1/4"-M
----	---------

H	39 mm
---	-------

LG1	10 mm
-----	-------

SW1	17 mm
-----	-------

Z	12.5 mm
---	---------

Contact to Schmalz

J. Schmalz GmbH | Johannes-Schmalz-Straße, 72293 Glatten, Deutschland | +49 7443 2403-102 | customercenter@schmalz.de

Technical Data

Attribute	Value
Suction force	75 N
Pull-off force	120 N
Volume	34.27 cm ³
Curve radius (min) (convex)	50 mm
Internal hose diameter (recom.)	6 mm
Size	60
Nipple	N 014
Suction cup material	Vulkollan VU1
Material hardness	72 °Sh
Weight	38.2 g
Number of folds	1.5
Product family	FSGA

Note:

- Suction force: The specified suction forces are theoretical values at a vacuum of -0.6 bar and with a smooth, dry workpiece surface - they do not include a safety factor
- Hose diameter: The recommended hose diameter refers to a hose length of approx. 2 m

Spare Parts

Contact to Schmalz



SA-NIP N014 G1/4-AG DN600

Part no. 10.01.06.00184

Suction cup connection nipple

Nipple: N 014

Thread G1: G1/4-M

Overall length: 29.5 mm

Fitting length: 5 mm

Nominal size: 6,00 mm

Material: Aluminium

Spanner size SW2: 6 mm



FGA 60 VU1-72 N014 ON

Part no. 10.01.06.00207

Bellows suction cup (round) with optimal adaptation to uneven surfaces

Size: 60

Suction cup material: Vulkollan VU1

Material hardness: 72 °Sh

Number of folds: 1.5

Additional feature: Oil groove