

Suction cup connection nipple

SA-NIP N014 G1/4-IG DN600

<https://www.schmalz.com/10.01.06.00181>



Part no.: 10.01.06.00181

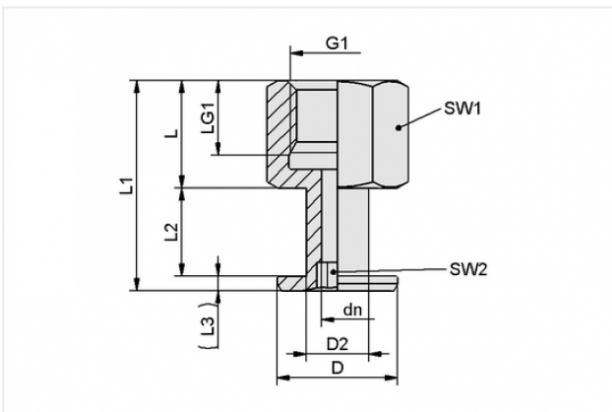
Homepage > Vacuum Technology for Automation > Vacuum Components > Vacuum Suction Cups > Bellows Suction Cups (Round) > SA-NIP N014 G1/4-IG DN600

Suction cup connection nipple



Nipple: N 014
Thread G1: G1/4-F
Overall length: 29.5 mm
Fitting length: 15 mm
Nominal size: 6,00 mm
Material: Aluminium
Spanner size SW2: 6 mm

Design Data



Attribute	Value
dn	6 mm
D	16.5 mm
D2	12.5 mm
G1	G1/4"-F
L	15 mm
L1	29.5 mm
L2	11.5 mm
L3	3 mm
LG1	12 mm
SW1	17 mm
SW2	6 mm

Contact to Schmalz

J. Schmalz GmbH | Johannes-Schmalz-Straße, 72293 Glatten, Deutschland | +49 7443 2403-102 | customercenter@schmalz.de

Technical Data

Attribute	Value
Nipple	N 014
Material	Aluminium
Weight	10.4 g
