

Bellows suction cup (round)

<https://www.schmalz.com/10.01.06.00178>



FGA 60 VU1-72 N014

Part no.: 10.01.06.00178

Homepage > Vacuum Technology for Automation > Vacuum Components > Vacuum Suction Cups > Bellows Suction Cups (Round) > FGA 60

VU1-72 N014

Bellows suction cup (round) with optimal adaptation to uneven surfaces



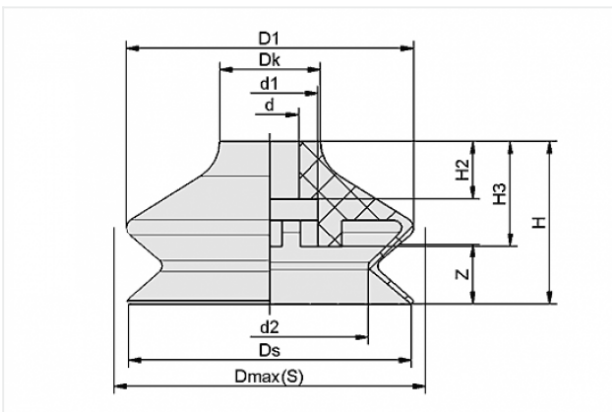
Size: 60

Suction cup material: Vulkollan VU1

Material hardness: 72 °Sh

Number of folds: 1.5

Design Data



Attribute	Value
-----------	-------

d	12 mm
---	-------

d1	20 mm
----	-------

d2	41 mm
----	-------

D1	60 mm
----	-------

Dk	21 mm
----	-------

Dmax(S)	61.5 mm
---------	---------

Ds	59 mm
----	-------

H	34 mm
---	-------

H2	12 mm
----	-------

H3	22 mm
----	-------

Z	12 mm
---	-------

Contact to Schmalz

J. Schmalz GmbH | Johannes-Schmalz-Straße, 72293 Glatten, Deutschland | +49 7443 2403-102 | customercenter@schmalz.de

Technical Data

Attribute	Value
Number of folds	1.5
Suction force	75 N
Pull-off force	120 N
Volume	35.669 cm ³
Curve radius (min) (convex)	50 mm
Size	60
Suction cup material	Vulkollan VU1
Weight	26.9 g
Curve radius (min) (convex)	50 mm
Product family	FGA

Accessories



SA-NIP N014 G1/4-IG DN600

Part no. 10.01.06.00181

Suction cup connection nipple

Nipple: N 014

Thread G1: G1/4-F

Overall length: 29.5 mm

Fitting length: 15 mm

Nominal size: 6,00 mm

Material: Aluminium

Spanner size SW2: 6 mm



SA-NIP N014 G1/4-AG DN600

Part no. 10.01.06.00184

Suction cup connection nipple

Nipple: N 014

Thread G1: G1/4-M

Overall length: 29.5 mm

Fitting length: 5 mm

Nominal size: 6,00 mm

Material: Aluminium

Spanner size SW2: 6 mm