

Bellows suction cup (round)

<https://www.schmalz.com/10.01.06.00299>



FSGA 40 VU1-72 G1/4-IG ON

Part no.: 10.01.06.00299

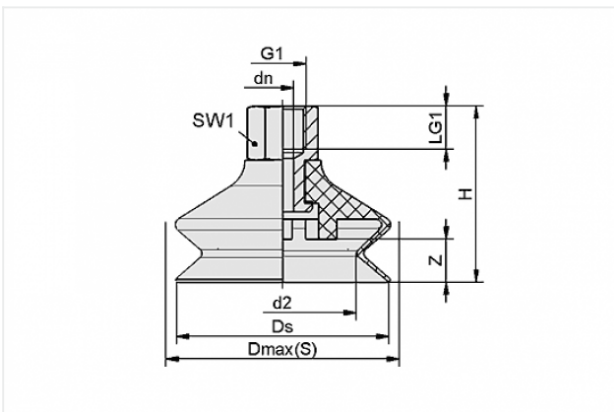
Homepage > Vacuum Technology for Automation > Vacuum Components > Vacuum Suction Cups > Bellows Suction Cups (Round) > Bellows Suction Cups FSGA VU1 (1.5 Folds) > FSGA 40 VU1-72 G1/4-IG ON

Bellows suction cup (round) with optimal adaptation to uneven surfaces



Size: 40
Number of folds: 1.5
Suction cup material: Vulkollan VU1
Material hardness: 72 °Sh
Nipple material: Aluminium
Vacuum connection: G1/4-F
Additional feature: Oil groove

Design Data



Attribute	Value
-----------	-------

d2	26.8 mm
----	---------

dn	3.5 mm
----	--------

Dmax(S)	42.5 mm
---------	---------

Ds	38 mm
----	-------

G1	G1/4"-F
----	---------

H	41 mm
---	-------

LG1	12 mm
-----	-------

SW1	17 mm
-----	-------

Z	12.8 mm
---	---------

Contact to Schmalz

J. Schmalz GmbH | Johannes-Schmalz-Straße, 72293 Glatten, Deutschland | +49 7443 2403-102 | customercenter@schmalz.de

Technical Data

Attribute	Value
Suction force	33 N
Pull-off force	56 N
Volume	11.3 cm ³
Curve radius (min) (convex)	30 mm
Internal hose diameter (recom.)	6 mm
Size	40
Nipple	N 011
Suction cup material	Vulkollan VU1
Material hardness	72 °Sh
Weight	16.1 g
Number of folds	1.5
Product family	FSGA

Note:

- Suction force: The specified suction forces are theoretical values at a vacuum of -0.6 bar and with a smooth, dry workpiece surface - they do not include a safety factor
- Hose diameter: The recommended hose diameter refers to a hose length of approx. 2 m

Spare Parts

Contact to Schmalz



SA-NIP N011 G1/4-IG DN350

Part no. 10.01.01.00412

Suction cup connection nipple

Nipple: N 011

Thread G1: G1/4-F

Overall length: 24.5 mm

Fitting length: 15 mm

Nominal size: 3,50 mm

Material: Aluminium

Spanner size SW2: 5 mm



FGA 40 VU1-72 N011 ON

Part no. 10.01.06.00301

Bellows suction cup (round) with optimal adaptation to uneven surfaces

Size: 40

Suction cup material: Vulkollan VU1

Material hardness: 72 °Sh

Number of folds: 1.5

Additional feature: Oil groove