

Bellows suction cup (round)

<https://www.schmalz.com/10.01.06.00301>



FGA 40 VU1-72 N011 ON

Part no.: 10.01.06.00301

Homepage > Vacuum Technology for Automation > Vacuum Components > Vacuum Suction Cups > Bellows Suction Cups (Round) > FGA 40

VU1-72 N011 ON

Bellows suction cup (round) with optimal adaptation to uneven surfaces



Size: 40

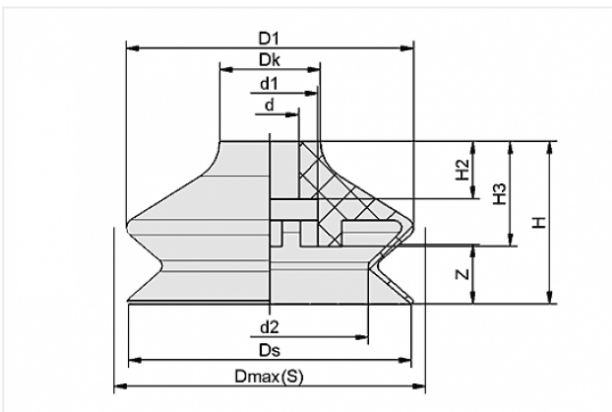
Suction cup material: Vulkollan VU1

Material hardness: 72 °Sh

Number of folds: 1.5

Additional feature: Oil groove

Design Data



Attribute	Value
-----------	-------

d	8 mm
---	------

d1	13.6 mm
----	---------

d2	26.8 mm
----	---------

D1	40 mm
----	-------

Dk	14 mm
----	-------

Dmax(S)	42.5 mm
---------	---------

Ds	38 mm
----	-------

H	27 mm
---	-------

H2	8 mm
----	------

H3	15 mm
----	-------

Z	12.8 mm
---	---------

Contact to Schmalz

J. Schmalz GmbH | Johannes-Schmalz-Straße, 72293 Glatten, Deutschland | +49 7443 2403-102 | customercenter@schmalz.de

Technical Data

Attribute	Value
Number of folds	1.5
Suction force	33 N
Pull-off force	56 N
Volume	12.888 cm ³
Curve radius (min) (convex)	40 mm
Size	40
Suction cup material	Vulkollan VU1
Weight	9 g
Curve radius (min) (convex)	40 mm
Product family	FGA

Accessories



SA-NIP N011 G1/4-AG DN350

Part no. 10.01.01.10663

Suction cup connection nipple

Nipple: N 011

Thread G1: G1/4-M

Overall length: 24.5 mm

Fitting length: 5 mm

Nominal size: 3,50 mm

Material: Aluminium

Spanner size SW2: 5 mm



SA-NIP N011 G1/4-IG DN350

Part no. 10.01.01.00412

Suction cup connection nipple

Nipple: N 011

Thread G1: G1/4-F

Overall length: 24.5 mm

Fitting length: 15 mm

Nominal size: 3,50 mm

Material: Aluminium

Spanner size SW2: 5 mm