

# Bellows suction cup (round)

<https://www.schmalz.com/10.01.06.00197>



## FSGA 30 VU1-72 G1/4-AG

Part no.: 10.01.06.00197

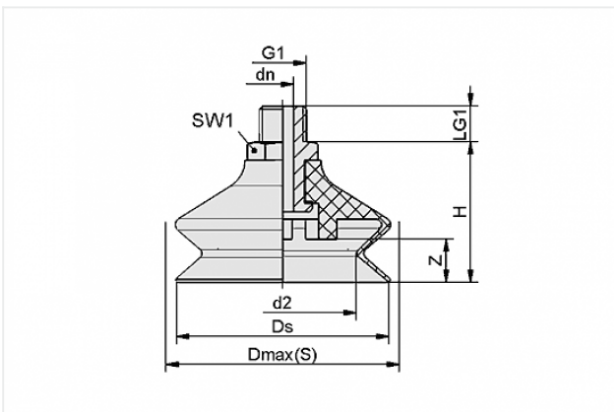
Homepage > Vacuum Technology for Automation > Vacuum Components > Vacuum Suction Cups > Bellows Suction Cups (Round) > Bellows Suction Cups FSGA VU1 (1.5 Folds) > FSGA 30 VU1-72 G1/4-AG

## Bellows suction cup (round) with optimal adaptation to uneven surfaces



Size: 30  
Number of folds: 1.5  
Suction cup material: Vulkollan VU1  
Material hardness: 72 °Sh  
Nipple material: Aluminium  
Vacuum connection: G1/4-M

### Design Data



Attribute	Value
-----------	-------

d2	17 mm
----	-------

dn	3.5 mm
----	--------

Dmax(S)	31.5 mm
---------	---------

Ds	29 mm
----	-------

G1	G1/4"-M
----	---------

H	32 mm
---	-------

LG1	10 mm
-----	-------

SW1	17 mm
-----	-------

Z	8.5 mm
---	--------

### Contact to Schmalz

J. Schmalz GmbH | Johannes-Schmalz-Straße, 72293 Glatten, Deutschland | +49 7443 2403-102 | [customercenter@schmalz.de](mailto:customercenter@schmalz.de)

## Technical Data

Attribute	Value
Suction force	13.5 N
Pull-off force	32 N
Volume	5.756 cm <sup>3</sup>
Curve radius (min) (convex)	25 mm
Internal hose diameter (recom.)	6 mm
Size	30
Nipple	N 013
Suction cup material	Vulkollan VU1
Material hardness	72 °Sh
Weight	15 g
Number of folds	1.5
Product family	FSGA

### Note:

- Suction force: The specified suction forces are theoretical values at a vacuum of -0.6 bar and with a smooth, dry workpiece surface - they do not include a safety factor
- Hose diameter: The recommended hose diameter refers to a hose length of approx. 2 m

## Spare Parts

### Contact to Schmalz



**SA-NIP N013 G1/4-AG DN350**

Part no. 10.01.06.00183

Suction cup connection nipple

Nipple: N 013

Thread G1: G1/4-M

Overall length: 28.5 mm

Fitting length: 5 mm

Nominal size: 3,50 mm

Material: Aluminium

Spanner size SW2: 5 mm



**FGA 30 VU1-72 N013**

Part no. 10.01.06.00177

Bellows suction cup (round) with optimal adaptation to uneven surfaces

Size: 30

Suction cup material: Vulkollan VU1

Material hardness: 72 °Sh

Number of folds: 1.5