

# Bellows suction cup (round)

<https://www.schmalz.com/10.01.06.00129>



## FGA 78 SI-55 N019

Part no.: 10.01.06.00129

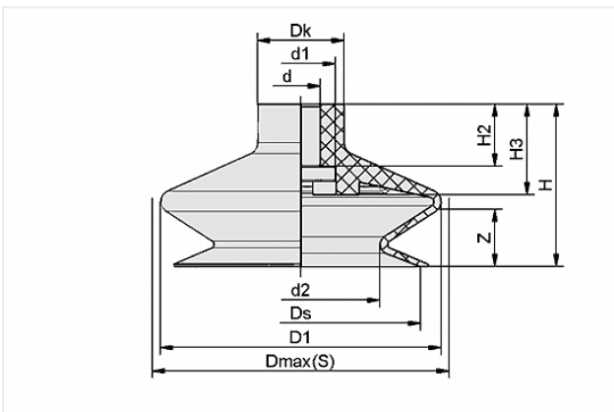
Homepage > Vacuum Technology for Automation > Vacuum Components > Vacuum Suction Cups > Bellows Suction Cups (Round) > FGA 78 SI-55 N019

### Bellows suction cup (round) with optimal adaptation to uneven surfaces



Size: 78  
Suction cup material: Silicone SI  
Material hardness: 55 °Sh  
Material characteristics:  
FDA-compatible  
Number of folds: 1.5

### Design Data



Attribute	Value
-----------	-------

d	11.8 mm
---	---------

d1	21.8 mm
----	---------

d2	54 mm
----	-------

D1	83 mm
----	-------

Dk	24.7 mm
----	---------

Dmax(S)	84.5 mm
---------	---------

Ds	74 mm
----	-------

H	47 mm
---	-------

H2	19.7 mm
----	---------

H3	31.4 mm
----	---------

Z	16 mm
---	-------

### Contact to Schmalz

J. Schmalz GmbH | Johannes-Schmalz-Straße, 72293 Glatten, Deutschland | +49 7443 2403-102 | [customercenter@schmalz.de](mailto:customercenter@schmalz.de)

## Technical Data

Attribute	Value
Number of folds	1.5
Suction force	137.4 N
Size	78
Suction cup material	Silicone SI
Weight	56.3 g
Curve radius (min) (convex)	70 mm
Product family	FGA

## Accessories



### SA-NIP N019 G1/4-AG DN820

Part no. 10.01.06.01959

Suction cup connection nipple

Nipple: N 019

Thread G1: G1/4-M

Overall length: 40 mm

Fitting length: 6 mm

Nominal size: 8,20 mm

Material: Aluminium

Spanner size SW2: 8 mm



### SA-NIP N019 G1/4-IG DN820

Part no. 10.01.06.01960

Suction cup connection nipple

Nipple: N 019

Thread G1: G1/4-F

Overall length: 38 mm

Fitting length: 15 mm

Nominal size: 8,20 mm

Material: Aluminium

Spanner size SW2: 8 mm

## Contact to Schmalz

