

Bellows suction cup (round)

<https://www.schmalz.com/10.01.06.00429>



FGA 78 NK-45 N019

Part no.: 10.01.06.00429

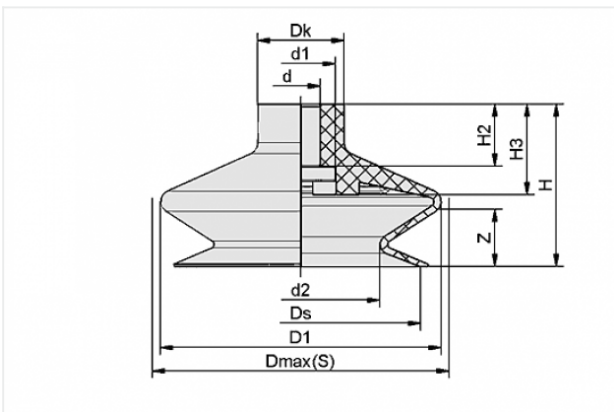
Homepage > Vacuum Technology for Automation > Vacuum Components > Vacuum Suction Cups > Bellows Suction Cups (Round) > FGA 78 NK-45 N019

Bellows suction cup (round) with optimal adaptation to uneven surfaces



Size: 78
Suction cup material:
Natural Rubber NK
Material hardness: 45 °Sh
Number of folds: 1.5

Design Data



Attribute	Value
-----------	-------

d	11.8 mm
---	---------

d1	21.8 mm
----	---------

d2	54 mm
----	-------

D1	83 mm
----	-------

Dk	24.7 mm
----	---------

Dmax(S)	86 mm
---------	-------

Ds	74 mm
----	-------

H	47 mm
---	-------

H2	19.7 mm
----	---------

H3	31.4 mm
----	---------

Z	16 mm
---	-------

Contact to Schmalz

J. Schmalz GmbH | Johannes-Schmalz-Straße, 72293 Glatten, Deutschland | +49 7443 2403-102 | customercenter@schmalz.de

Technical Data

Attribute	Value
Number of folds	1.5
Suction force	137.4 N
Size	78
Suction cup material	Natural Rubber NK
Weight	48 g
Curve radius (min) (convex)	70 mm
Product family	FGA

Accessories



SA-NIP N019 G1/4-AG DN820

Part no. 10.01.06.01959

Suction cup connection nipple

Nipple: N 019

Thread G1: G1/4-M

Overall length: 40 mm

Fitting length: 6 mm

Nominal size: 8,20 mm

Material: Aluminium

Spanner size SW2: 8 mm



SA-NIP N019 G1/4-IG DN820

Part no. 10.01.06.01960

Suction cup connection nipple

Nipple: N 019

Thread G1: G1/4-F

Overall length: 38 mm

Fitting length: 15 mm

Nominal size: 8,20 mm

Material: Aluminium

Spanner size SW2: 8 mm

Contact to Schmalz

