

# Bellows suction cup (round)

<https://www.schmalz.com/10.01.06.00340>



## FSGA 78 NK-45 G1/4-AG

Part no.: 10.01.06.00340

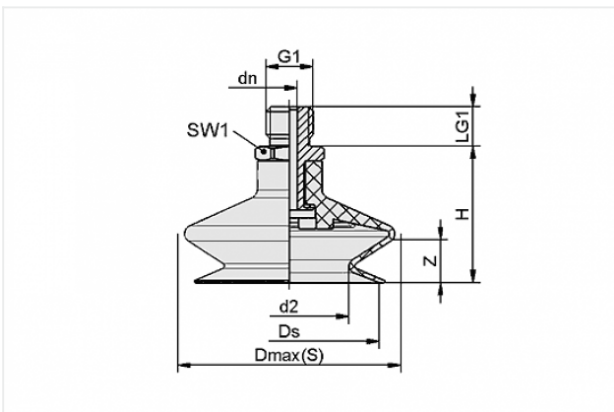
Homepage > Vacuum Technology for Automation > Vacuum Components > Vacuum Suction Cups > Bellows Suction Cups (Round) > Bellows Suction Cups FSGA (1.5 Folds) > FSGA 78 NK-45 G1/4-AG

### Bellows suction cup (round) with optimal adaptation to uneven surfaces



Size: 78  
Number of folds: 1.5  
Suction cup material:  
Natural Rubber NK  
Material hardness: 45 °Sh  
Nipple material: Aluminium  
Vacuum connection: G1/4-M

### Design Data



Attribute	Value
-----------	-------

d2	54 mm
----	-------

Dmax(S)	84.5 mm
---------	---------

dn	8.2 mm
----	--------

Ds	74 mm
----	-------

G1	G1/4"-M
----	---------

H	53 mm
---	-------

LG1	11 mm
-----	-------

SW1	21 mm
-----	-------

Z	14 mm
---	-------

### Contact to Schmalz

J. Schmalz GmbH | Johannes-Schmalz-Straße, 72293 Glatten, Deutschland | +49 7443 2403-102 | [customercenter@schmalz.de](mailto:customercenter@schmalz.de)

## Technical Data

Attribute	Value
Number of folds	1.5
Pull-off force	218 N
Size	78
Weight	71 g
Nipple	N 019
Suction cup material	Natural Rubber NK
Suction force	137.4 N
Internal hose diameter (recom.)	6 mm
Volume	75.583 cm <sup>3</sup>
Material hardness	45 °Sh
Curve radius (min) (convex)	70 mm
Product family	FSGA

### Note:

- Suction force: The specified suction forces are theoretical values at a vacuum of -0.6 bar and with a smooth, dry workpiece surface - they do not include a safety factor
- Pull-off force: The pull-off force of the versions made of natural rubber is reduced by about 40%
- Hose diameter: The recommended hose diameter refers to a hose length of approx. 2 m

---

## Spare Parts

### Contact to Schmalz



**SA-NIP N019 G1/4-AG DN820**

Part no. 10.01.06.01959

Suction cup connection nipple

Nipple: N 019

Thread G1: G1/4-M

Overall length: 40 mm

Fitting length: 6 mm

Nominal size: 8,20 mm

Material: Aluminium

Spanner size SW2: 8 mm



**FGA 78 NK-45 N019**

Part no. 10.01.06.00429

Bellows suction cup (round) with optimal adaptation to uneven surfaces

Size: 78

Suction cup material:

Natural Rubber NK

Material hardness: 45 °Sh

Number of folds: 1.5