

Suction cup connection nipple

SA-NIP N019 G1/4-IG DN820

<https://www.schmalz.com/10.01.06.01960>



Part no.: 10.01.06.01960

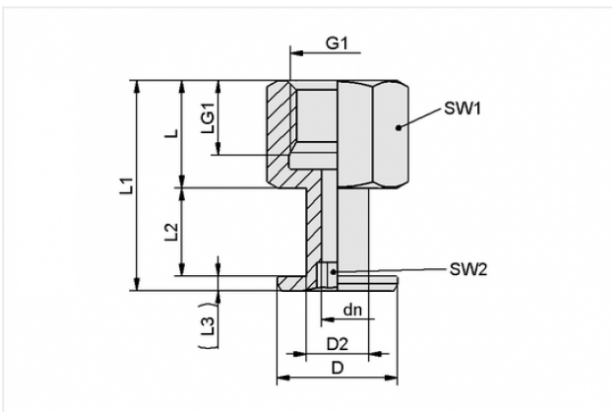
Homepage > Vacuum Technology for Automation > Vacuum Components > Vacuum Suction Cups > Bellows Suction Cups (Round) > SA-NIP N019 G1/4-IG DN820

Suction cup connection nipple



Nipple: N 019
 Thread G1: G1/4-F
 Overall length: 38 mm
 Fitting length: 15 mm
 Nominal size: 8,20 mm
 Material: Aluminium
 Spanner size SW2: 8 mm

Design Data



Attribute	Value
dn	8.2 mm
D	20 mm
D2	13.5 mm
G1	G1/4"-F
L	15 mm
L1	38 mm
L2	19 mm
L3	4 mm
LG1	12 mm
SW1	21 mm
SW2	8 mm

Contact to Schmalz

J. Schmalz GmbH | Johannes-Schmalz-Straße, 72293 Glatten, Deutschland | +49 7443 2403-102 | customercenter@schmalz.de

Technical Data

Attribute	Value
Nipple	N 019
Material	Aluminium
Weight	17.8 g
