

Bellows suction cup (round)

<https://www.schmalz.com/10.01.06.00133>



FGA 78 NBR-55 N019

Part no.: 10.01.06.00133

Homepage > Vacuum Technology for Automation > Vacuum Components > Vacuum Suction Cups > Bellows Suction Cups (Round) > FGA 78

NBR-55 N019

Bellows suction cup (round) with optimal adaptation to uneven surfaces



Size: 78

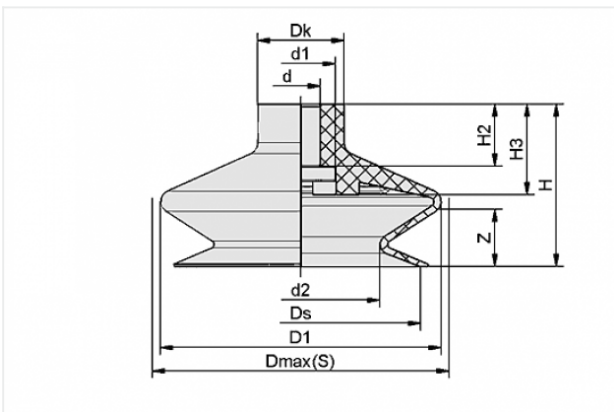
Suction cup material:

Nitrile rubber NBR

Material hardness: 55 °Sh

Number of folds: 1.5

Design Data



| Attribute | Value |
|-----------|-------|
|-----------|-------|

| | |
|---|---------|
| d | 11.8 mm |
|---|---------|

| | |
|----|---------|
| d1 | 21.8 mm |
|----|---------|

| | |
|----|-------|
| d2 | 54 mm |
|----|-------|

| | |
|----|-------|
| D1 | 83 mm |
|----|-------|

| | |
|----|---------|
| Dk | 24.7 mm |
|----|---------|

| | |
|---------|---------|
| Dmax(S) | 84.5 mm |
|---------|---------|

| | |
|----|-------|
| Ds | 74 mm |
|----|-------|

| | |
|---|-------|
| H | 47 mm |
|---|-------|

| | |
|----|---------|
| H2 | 19.7 mm |
|----|---------|

| | |
|----|---------|
| H3 | 31.4 mm |
|----|---------|

| | |
|---|-------|
| Z | 16 mm |
|---|-------|

Contact to Schmalz

J. Schmalz GmbH | Johannes-Schmalz-Straße, 72293 Glatten, Deutschland | +49 7443 2403-102 | customercenter@schmalz.de

Technical Data

| Attribute | Value |
|-----------------------------|--------------------|
| Number of folds | 1.5 |
| Suction force | 137.4 N |
| Size | 78 |
| Suction cup material | Nitrile rubber NBR |
| Weight | 55.6 g |
| Curve radius (min) (convex) | 70 mm |
| Product family | FGA |

Accessories



SA-NIP N019 G1/4-AG DN820

Part no. 10.01.06.01959

Suction cup connection nipple

Nipple: N 019

Thread G1: G1/4-M

Overall length: 40 mm

Fitting length: 6 mm

Nominal size: 8,20 mm

Material: Aluminium

Spanner size SW2: 8 mm



SA-NIP N019 G1/4-IG DN820

Part no. 10.01.06.01960

Suction cup connection nipple

Nipple: N 019

Thread G1: G1/4-F

Overall length: 38 mm

Fitting length: 15 mm

Nominal size: 8,20 mm

Material: Aluminium

Spanner size SW2: 8 mm

Contact to Schmalz

