

Bellows suction cup (round)

<https://www.schmalz.com/10.01.06.00084>



FSGA 78 NBR-55 G1/4-AG

Part no.: 10.01.06.00084

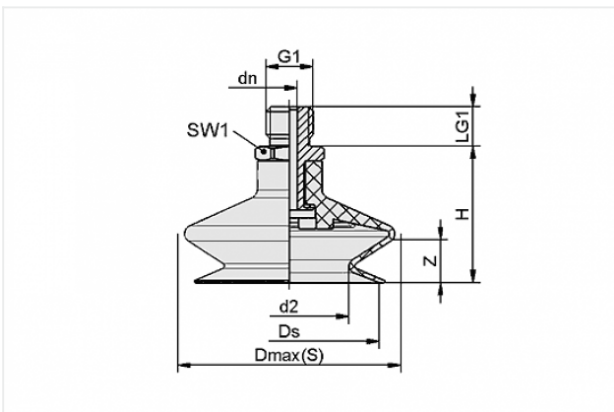
Homepage > Vacuum Technology for Automation > Vacuum Components > Vacuum Suction Cups > Bellows Suction Cups (Round) > Bellows Suction Cups FSGA (1.5 Folds) > FSGA 78 NBR-55 G1/4-AG

Bellows suction cup (round) with optimal adaptation to uneven surfaces



Size: 78
Number of folds: 1.5
Suction cup material:
Nitrile rubber NBR
Material hardness: 55 °Sh
Nipple material: Aluminium
Vacuum connection: G1/4-M

Design Data



Attribute	Value
-----------	-------

d2	54 mm
----	-------

Dmax(S)	84.5 mm
---------	---------

dn	8.2 mm
----	--------

Ds	74 mm
----	-------

G1	G1/4"-M
----	---------

H	53 mm
---	-------

LG1	11 mm
-----	-------

SW1	21 mm
-----	-------

Z	14 mm
---	-------

Contact to Schmalz

J. Schmalz GmbH | Johannes-Schmalz-Straße, 72293 Glatten, Deutschland | +49 7443 2403-102 | customercenter@schmalz.de

Technical Data

Attribute	Value
Number of folds	1.5
Pull-off force	218 N
Size	78
Weight	71 g
Nipple	N 019
Suction cup material	Nitrile rubber NBR
Suction force	137.4 N
Internal hose diameter (recom.)	6 mm
Volume	75.583 cm ³
Material hardness	55 °Sh
Curve radius (min) (convex)	70 mm
Product family	FSGA

Note:

- Suction force: The specified suction forces are theoretical values at a vacuum of -0.6 bar and with a smooth, dry workpiece surface - they do not include a safety factor
- Pull-off force: The pull-off force of the versions made of natural rubber is reduced by about 40%
- Hose diameter: The recommended hose diameter refers to a hose length of approx. 2 m

Spare Parts

Contact to Schmalz



SA-NIP N019 G1/4-AG DN820

Part no. 10.01.06.01959

Suction cup connection nipple

Nipple: N 019

Thread G1: G1/4-M

Overall length: 40 mm

Fitting length: 6 mm

Nominal size: 8,20 mm

Material: Aluminium

Spanner size SW2: 8 mm



FGA 78 NBR-55 N019

Part no. 10.01.06.00133

Bellows suction cup (round) with optimal adaptation to uneven surfaces

Size: 78

Suction cup material:

Nitrile rubber NBR

Material hardness: 55 °Sh

Number of folds: 1.5