

Bellows suction cup (round)

<https://www.schmalz.com/10.01.06.02479>



FSGA 78 HT1-60 G1/4-IG

Part no.: 10.01.06.02479

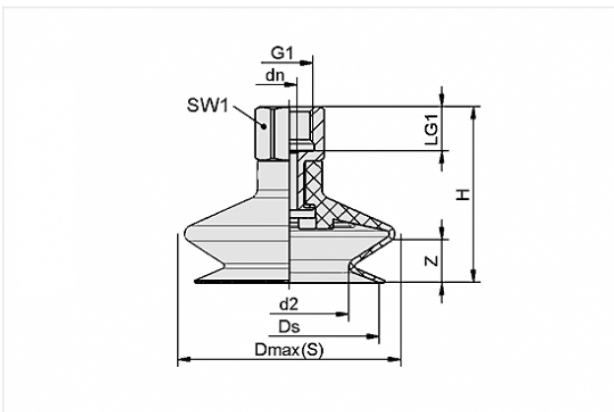
Homepage > Vacuum Technology for Automation > Vacuum Components > Vacuum Suction Cups > Bellows Suction Cups (Round) > Bellows Suction Cups FSGA (1.5 Folds) > FSGA 78 HT1-60 G1/4-IG

Bellows suction cup (round) with optimal adaptation to uneven surfaces



Size: 78
Number of folds: 1.5
Suction cup material:
High temp material HT1
Material hardness: 60 °Sh
Material property: imprint-free
Nipple material: Aluminium
Vacuum connection: G1/4-F

Design Data



Attribute	Value
-----------	-------

d2	54 mm
----	-------

Dmax(S)	84.5 mm
---------	---------

dn	8.2 mm
----	--------

Ds	74 mm
----	-------

G1	G1/4"-F
----	---------

H	62 mm
---	-------

LG1	12 mm
-----	-------

SW1	21 mm
-----	-------

Z	14 mm
---	-------

Contact to Schmalz

J. Schmalz GmbH | Johannes-Schmalz-Straße, 72293 Glatten, Deutschland | +49 7443 2403-102 | customercenter@schmalz.de

Technical Data

Attribute	Value
Number of folds	1.5
Pull-off force	218 N
Size	78
Weight	71 g
Nipple	N 019
Suction cup material	High temp material HT1
Suction force	137.4 N
Internal hose diameter (recom.)	6 mm
Volume	75.583 cm ³
Material hardness	60 °Sh
Curve radius (min) (convex)	70 mm
Product family	FSGA

Note:

- Suction force: The specified suction forces are theoretical values at a vacuum of -0.6 bar and with a smooth, dry workpiece surface - they do not include a safety factor
- Pull-off force: The pull-off force of the versions made of natural rubber is reduced by about 40%
- Hose diameter: The recommended hose diameter refers to a hose length of approx. 2 m