

Bellows suction cup (round)

<https://www.schmalz.com/10.01.06.00689>



FGA 63 SI-55 N018

Part no.: 10.01.06.00689

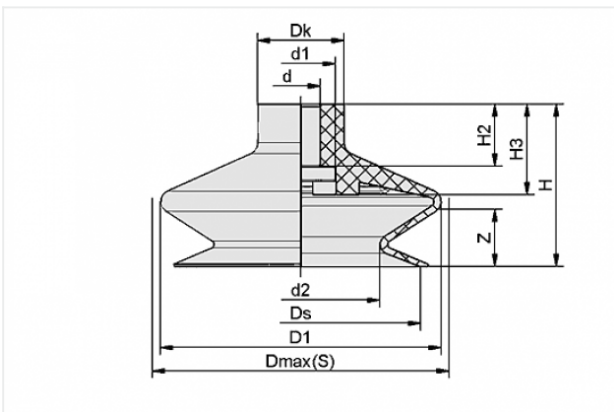
Homepage > Vacuum Technology for Automation > Vacuum Components > Vacuum Suction Cups > Bellows Suction Cups (Round) > FGA 63 SI-55 N018

Bellows suction cup (round) with optimal adaptation to uneven surfaces



Size: 63
Suction cup material: Silicone SI
Material hardness: 55 °Sh
Material characteristics:
FDA-compatible
Number of folds: 1.5

Design Data



Attribute	Value
d	8 mm
d1	14.5 mm
d2	44.5 mm
D1	67 mm
Dk	18 mm
Dmax(S)	68 mm
Ds	60 mm
H	34 mm
H2	13 mm
H3	18.8 mm
Z	15.2 mm

Contact to Schmalz

J. Schmalz GmbH | Johannes-Schmalz-Straße, 72293 Glatten, Deutschland | +49 7443 2403-102 | customercenter@schmalz.de

Technical Data

Attribute	Value
Number of folds	1.5
Suction force	85 N
Size	63
Suction cup material	Silicone SI
Weight	23.8 g
Curve radius (min) (convex)	75 mm
Product family	FGA

Accessories



SA-NIP N018 G1/4-AG DN440

Part no. 10.01.06.01065

Suction cup connection nipple

Nipple: N 018

Thread G1: G1/4-M

Overall length: 28.8 mm

Fitting length: 4 mm

Nominal size: 4,40 mm

Material: Aluminium

Spanner size SW2: 5 mm



SA-NIP N018 G1/4-IG DN440

Part no. 10.01.06.01066

Suction cup connection nipple

Nipple: N 018

Thread G1: G1/4-F

Overall length: 28.8 mm

Fitting length: 15 mm

Nominal size: 4,40 mm

Material: Aluminium

Spanner size SW2: 5 mm

Contact to Schmalz

