

Bellows suction cup (round)

<https://www.schmalz.com/10.01.06.00093>



FSGA 53 SI-55 G1/4-AG

Part no.: 10.01.06.00093

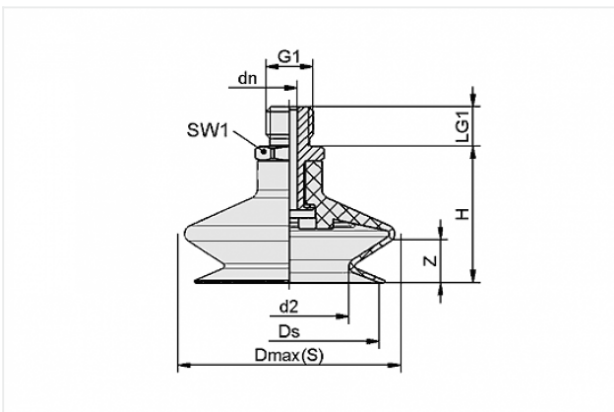
Homepage > Vacuum Technology for Automation > Vacuum Components > Vacuum Suction Cups > Bellows Suction Cups (Round) > Bellows Suction Cups FSGA (1.5 Folds) > FSGA 53 SI-55 G1/4-AG

Bellows suction cup (round) with optimal adaptation to uneven surfaces



Size: 53
Number of folds: 1.5
Suction cup material: Silicone SI
Material hardness: 55 °Sh
Material characteristics:
FDA-compatible
Nipple material: Aluminium
Vacuum connection: G1/4-M

Design Data



Attribute	Value
-----------	-------

d2	33 mm
----	-------

Dmax(S)	60 mm
---------	-------

dn	4.4 mm
----	--------

Ds	50 mm
----	-------

G1	G1/4"-M
----	---------

H	38 mm
---	-------

LG1	11 mm
-----	-------

SW1	17 mm
-----	-------

Z	12 mm
---	-------

Contact to Schmalz

J. Schmalz GmbH | Johannes-Schmalz-Straße, 72293 Glatten, Deutschland | +49 7443 2403-102 | customercenter@schmalz.de

Technical Data

Attribute	Value
Number of folds	1.5
Pull-off force	95 N
Size	53
Weight	27 g
Nipple	N 018
Suction cup material	Silicone SI
Suction force	51.3 N
Internal hose diameter (recom.)	6 mm
Volume	26.488 cm ³
Material hardness	55 °Sh
Curve radius (min) (convex)	75 mm
Product family	FSGA

Note:

- Suction force: The specified suction forces are theoretical values at a vacuum of -0.6 bar and with a smooth, dry workpiece surface - they do not include a safety factor
- Pull-off force: The pull-off force of the versions made of natural rubber is reduced by about 40%
- Hose diameter: The recommended hose diameter refers to a hose length of approx. 2 m

Spare Parts

Contact to Schmalz



SA-NIP N018 G1/4-AG DN440

Part no. 10.01.06.01065

Suction cup connection nipple

Nipple: N 018

Thread G1: G1/4-M

Overall length: 28.8 mm

Fitting length: 4 mm

Nominal size: 4,40 mm

Material: Aluminium

Spanner size SW2: 5 mm



FGA 53 SI-55 N018

Part no. 10.01.06.00128

Bellows suction cup (round) with optimal adaptation to uneven surfaces

Size: 53

Suction cup material: Silicone SI

Material hardness: 55 °Sh

Material characteristics:

FDA-compatible

Number of folds: 1.5