

Bellows suction cup (round)

<https://www.schmalz.com/10.01.06.00326>



FSGA 53 NK-45 G1/4-AG

Part no.: 10.01.06.00326

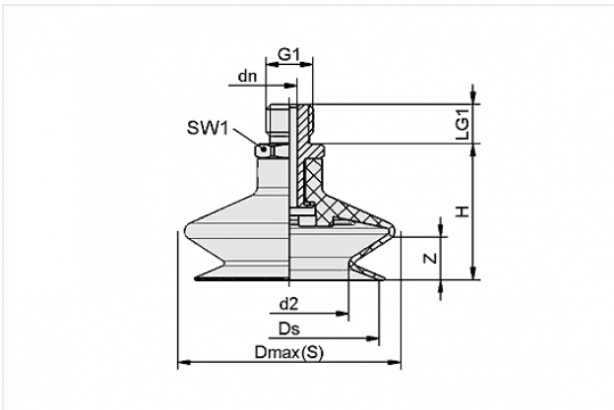
Homepage > Vacuum Technology for Automation > Vacuum Components > Vacuum Suction Cups > FSGA 53 NK-45 G1/4-AG

Bellows suction cup (round) with optimal adaptation to uneven surfaces



Size: 53
Number of folds: 1.5
Suction cup material:
Natural Rubber NK
Material hardness: 45 °Sh
Nipple material: Aluminium
Vacuum connection: G1/4-M

Design Data



Attribute	Value
d2	33 mm
Dmax(S)	60 mm
dn	4.4 mm
Ds	50 mm
G1	G1/4"-M
H	38 mm
LG1	11 mm
SW1	17 mm
Z	12 mm

Technical Data

Contact to Schmalz

J. Schmalz GmbH | Johannes-Schmalz-Straße, 72293 Glatten, Deutschland | +49 7443 2403-102 | customercenter@schmalz.de

Attribute	Value
Number of folds	1.5
Pull-off force	95 N
Size	53
Weight	27 g
Nipple	N 018
Suction cup material	Natural Rubber NK
Suction force	51.3 N
Internal hose diameter (recom.)	6 mm
Volume	26.488 cm ³
Material hardness	45 °Sh
Curve radius (min) (convex)	75 mm
Product family	FSGA

Spare Parts



SA-NIP N018 G1/4-AG DN440

Part no. 10.01.06.01065

Suction cup connection nipple

Nipple: N 018

Thread G1: G1/4-M

Overall length: 28.8 mm

Fitting length: 4 mm

Nominal size: 4,40 mm

Material: Aluminium

Spanner size SW2: 5 mm



FGA 53 NK-45 N018

Part no. 10.01.06.00428

Bellows suction cup (round) with optimal adaptation to uneven surfaces

Size: 53

Suction cup material:

Natural Rubber NK

Material hardness: 45 °Sh

Number of folds: 1.5