

Bellows suction cup (round)

<https://www.schmalz.com/10.01.06.00132>



FGA 53 NBR-55 N018

Part no.: 10.01.06.00132

Homepage > Vacuum Technology for Automation > Vacuum Components > Vacuum Suction Cups > Bellows Suction Cups (Round) > FGA 53

NBR-55 N018

Bellows suction cup (round) with optimal adaptation to uneven surfaces



Size: 53

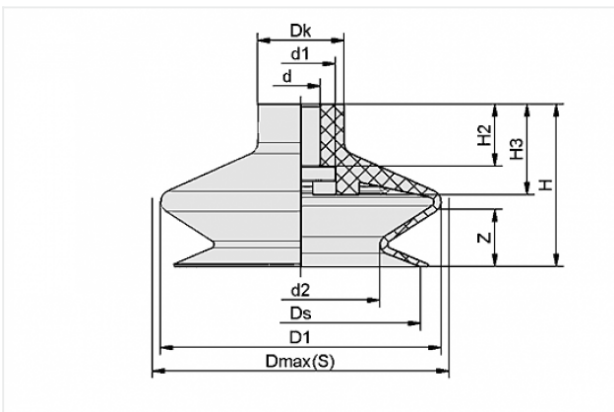
Suction cup material:

Nitrile rubber NBR

Material hardness: 55 °Sh

Number of folds: 1.5

Design Data



Attribute	Value
-----------	-------

d	8 mm
---	------

d1	14.5 mm
----	---------

d2	33 mm
----	-------

D1	58.6 mm
----	---------

Dk	18 mm
----	-------

Dmax(S)	60 mm
---------	-------

Ds	50 mm
----	-------

H	34 mm
---	-------

H2	12.3 mm
----	---------

H3	19 mm
----	-------

Z	15 mm
---	-------

Contact to Schmalz

J. Schmalz GmbH | Johannes-Schmalz-Straße, 72293 Glatten, Deutschland | +49 7443 2403-102 | customercenter@schmalz.de

Technical Data

Attribute	Value
Number of folds	1.5
Suction force	51.3 N
Size	53
Suction cup material	Nitrile rubber NBR
Weight	18.3 g
Curve radius (min) (convex)	75 mm
Product family	FGA

Accessories



SA-NIP N018 G1/4-AG DN440

Part no. 10.01.06.01065

Suction cup connection nipple

Nipple: N 018

Thread G1: G1/4-M

Overall length: 28.8 mm

Fitting length: 4 mm

Nominal size: 4,40 mm

Material: Aluminium

Spanner size SW2: 5 mm



SA-NIP N018 G1/4-IG DN440

Part no. 10.01.06.01066

Suction cup connection nipple

Nipple: N 018

Thread G1: G1/4-F

Overall length: 28.8 mm

Fitting length: 15 mm

Nominal size: 4,40 mm

Material: Aluminium

Spanner size SW2: 5 mm

Contact to Schmalz

