

Bellows suction cup (round)

<https://www.schmalz.com/10.01.06.00418>



FSGA 43 NK-45 G1/4-AG

Part no.: 10.01.06.00418

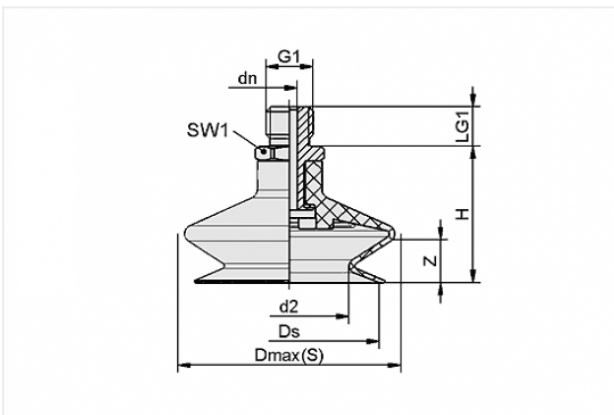
Homepage > Vacuum Technology for Automation > Vacuum Components > Vacuum Suction Cups > Bellows Suction Cups (Round) > Bellows Suction Cups FSGA (1.5 Folds) > FSGA 43 NK-45 G1/4-AG

Bellows suction cup (round) with optimal adaptation to uneven surfaces



Size: 43
Number of folds: 1.5
Suction cup material:
Natural Rubber NK
Material hardness: 45 °Sh
Nipple material: Aluminium
Vacuum connection: G1/4-M

Design Data



Attribute	Value
-----------	-------

d2	21.9 mm
----	---------

Dmax(S)	47.5 mm
---------	---------

dn	4.4 mm
----	--------

Ds	38 mm
----	-------

G1	G1/4"-M
----	---------

H	31.6 mm
---	---------

LG1	11 mm
-----	-------

SW1	17 mm
-----	-------

Z	10 mm
---	-------

Contact to Schmalz

J. Schmalz GmbH | Johannes-Schmalz-Straße, 72293 Glatten, Deutschland | +49 7443 2403-102 | customercenter@schmalz.de

Technical Data

Attribute	Value
Number of folds	1.5
Pull-off force	64.5 N
Size	43
Weight	19 g
Nipple	N 018
Suction cup material	Natural Rubber NK
Suction force	22.8 N
Internal hose diameter (recom.)	6 mm
Volume	9.25 cm ³
Material hardness	45 °Sh
Curve radius (min) (convex)	60 mm
Product family	FSGA

Note:

- Suction force: The specified suction forces are theoretical values at a vacuum of -0.6 bar and with a smooth, dry workpiece surface - they do not include a safety factor
- Pull-off force: The pull-off force of the versions made of natural rubber is reduced by about 40%
- Hose diameter: The recommended hose diameter refers to a hose length of approx. 2 m

Spare Parts

Contact to Schmalz



SA-NIP N018 G1/4-AG DN440

Part no. 10.01.06.01065

Suction cup connection nipple

Nipple: N 018

Thread G1: G1/4-M

Overall length: 28.8 mm

Fitting length: 4 mm

Nominal size: 4,40 mm

Material: Aluminium

Spanner size SW2: 5 mm



FGA 43 NK-45 N018

Part no. 10.01.06.00427

Bellows suction cup (round) with optimal adaptation to uneven surfaces

Size: 43

Suction cup material:

Natural Rubber NK

Material hardness: 45 °Sh

Number of folds: 1.5