

# Bellows suction cup (round)

<https://www.schmalz.com/10.01.06.00942>



## FSGA 43 HT1-60 G1/4-AG

Part no.: 10.01.06.00942

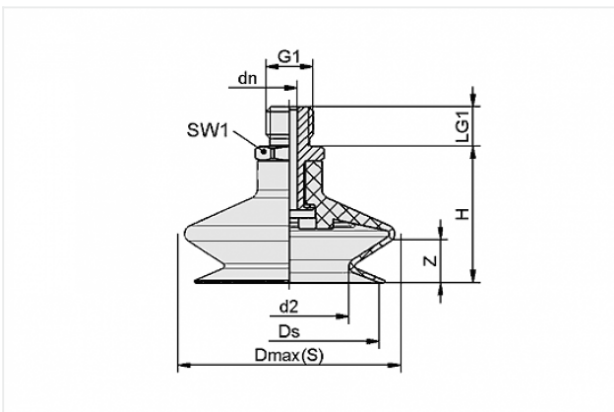
Homepage > Vacuum Technology for Automation > Vacuum Components > Vacuum Suction Cups > Bellows Suction Cups (Round) > Bellows Suction Cups FSGA (1.5 Folds) > FSGA 43 HT1-60 G1/4-AG

### Bellows suction cup (round) with optimal adaptation to uneven surfaces



Size: 43  
Number of folds: 1.5  
Suction cup material:  
High temp material HT1  
Material hardness: 60 °Sh  
Material property: imprint-free  
Nipple material: Aluminium  
Vacuum connection: G1/4-M

#### Design Data



Attribute	Value
-----------	-------

d2	21.9 mm
----	---------

Dmax(S)	47.5 mm
---------	---------

dn	4.4 mm
----	--------

Ds	38 mm
----	-------

G1	G1/4"-M
----	---------

H	31.6 mm
---	---------

LG1	11 mm
-----	-------

SW1	17 mm
-----	-------

Z	10 mm
---	-------

#### Contact to Schmalz

J. Schmalz GmbH | Johannes-Schmalz-Straße, 72293 Glatten, Deutschland | +49 7443 2403-102 | [customercenter@schmalz.de](mailto:customercenter@schmalz.de)

## Technical Data

Attribute	Value
Number of folds	1.5
Pull-off force	64.5 N
Size	43
Weight	19 g
Nipple	N 018
Suction cup material	High temp material HT1
Suction force	22.8 N
Internal hose diameter (recom.)	6 mm
Volume	9.25 cm <sup>3</sup>
Material hardness	60 °Sh
Curve radius (min) (convex)	60 mm
Product family	FSGA

### Note:

- Suction force: The specified suction forces are theoretical values at a vacuum of -0.6 bar and with a smooth, dry workpiece surface - they do not include a safety factor
- Pull-off force: The pull-off force of the versions made of natural rubber is reduced by about 40%
- Hose diameter: The recommended hose diameter refers to a hose length of approx. 2 m

---

## Spare Parts

### Contact to Schmalz



**SA-NIP N018 G1/4-AG DN440**

Part no. 10.01.06.01065

Suction cup connection nipple

Nipple: N 018

Thread G1: G1/4-M

Overall length: 28.8 mm

Fitting length: 4 mm

Nominal size: 4,40 mm

Material: Aluminium

Spanner size SW2: 5 mm



**FGA 43 HT1-60 N018**

Part no. 10.01.06.00874

Bellows suction cup (round) with optimal adaptation to uneven surfaces

Size: 43

Suction cup material:

High temp material HT1

Material hardness: 60 °Sh

Number of folds: 1.5

Material property: imprint-free