

# Bellows suction cup (round)

<https://www.schmalz.com/10.01.06.00064>



## FSGA 33 NBR-55 G1/4-IG

Part no.: 10.01.06.00064

Homepage > Vacuum Technology for Automation > Vacuum Components > Vacuum Suction Cups > Bellows Suction Cups (Round) > Bellows

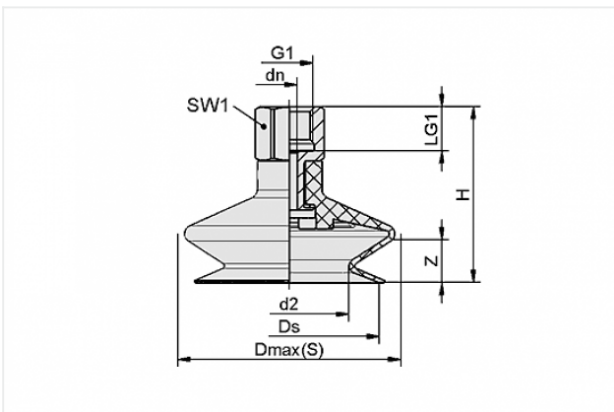
Suction Cups FSGA (1.5 Folds) > FSGA 33 NBR-55 G1/4-IG

## Bellows suction cup (round) with optimal adaptation to uneven surfaces



Size: 33  
Number of folds: 1.5  
Suction cup material:  
Nitrile rubber NBR  
Material hardness: 55 °Sh  
Nipple material: Aluminium  
Vacuum connection: G1/4-F

### Design Data



Attribute	Value
-----------	-------

d2	17 mm
----	-------

Dmax(S)	38 mm
---------	-------

dn	4.4 mm
----	--------

Ds	30 mm
----	-------

G1	G1/4"-F
----	---------

H	42 mm
---	-------

LG1	12 mm
-----	-------

SW1	17 mm
-----	-------

Z	9 mm
---	------

### Contact to Schmalz

J. Schmalz GmbH | Johannes-Schmalz-Straße, 72293 Glatten, Deutschland | +49 7443 2403-102 | [customercenter@schmalz.de](mailto:customercenter@schmalz.de)

## Technical Data

Attribute	Value
Number of folds	1.5
Pull-off force	39.6 N
Size	33
Weight	16 g
Nipple	N 018
Suction cup material	Nitrile rubber NBR
Suction force	13.6 N
Internal hose diameter (recom.)	6 mm
Volume	4.75 cm <sup>3</sup>
Material hardness	55 °Sh
Curve radius (min) (convex)	40 mm
Product family	FSGA

### Note:

- Suction force: The specified suction forces are theoretical values at a vacuum of -0.6 bar and with a smooth, dry workpiece surface - they do not include a safety factor
- Pull-off force: The pull-off force of the versions made of natural rubber is reduced by about 40%
- Hose diameter: The recommended hose diameter refers to a hose length of approx. 2 m

---

## Spare Parts

### Contact to Schmalz



**SA-NIP N018 G1/4-IG DN440**

Part no. 10.01.06.01066

Suction cup connection nipple

Nipple: N 018

Thread G1: G1/4-F

Overall length: 28.8 mm

Fitting length: 15 mm

Nominal size: 4,40 mm

Material: Aluminium

Spanner size SW2: 5 mm



**FGA 33 NBR-55 N018**

Part no. 10.01.06.00130

Bellows suction cup (round) with optimal adaptation to uneven surfaces

Size: 33

Suction cup material:

Nitrile rubber NBR

Material hardness: 55 °Sh

Number of folds: 1.5