

Bellows suction cup (round)

<https://www.schmalz.com/10.01.06.00957>



FSGA 33 HT1-60 G1/4-IG

Part no.: 10.01.06.00957

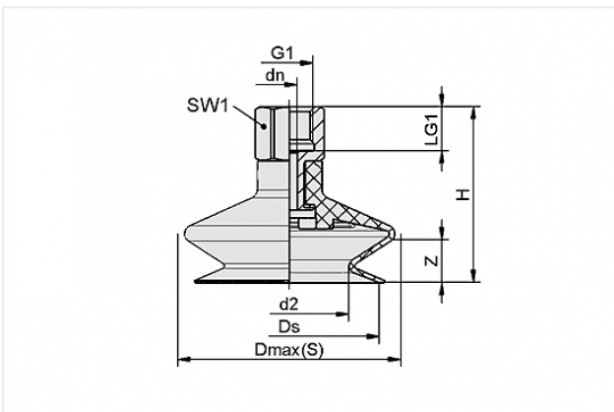
Homepage > Vacuum Technology for Automation > Vacuum Components > Vacuum Suction Cups > Bellows Suction Cups (Round) > Bellows Suction Cups FSGA (1.5 Folds) > FSGA 33 HT1-60 G1/4-IG

Bellows suction cup (round) with optimal adaptation to uneven surfaces



Size: 33
Number of folds: 1.5
Suction cup material:
High temp material HT1
Material hardness: 60 °Sh
Material property: imprint-free
Nipple material: Aluminium
Vacuum connection: G1/4-F

Design Data



Attribute	Value
-----------	-------

d2	17 mm
Dmax(S)	38 mm
dn	4.4 mm
Ds	30 mm
G1	G1/4"-F
H	42 mm
LG1	12 mm
SW1	17 mm
Z	9 mm

Contact to Schmalz

J. Schmalz GmbH | Johannes-Schmalz-Straße, 72293 Glatten, Deutschland | +49 7443 2403-102 | customercenter@schmalz.de

Technical Data

Attribute	Value
Number of folds	1.5
Pull-off force	39.6 N
Size	33
Weight	16 g
Nipple	N 018
Suction cup material	High temp material HT1
Suction force	13.6 N
Internal hose diameter (recom.)	6 mm
Volume	4.75 cm ³
Material hardness	60 °Sh
Curve radius (min) (convex)	40 mm
Product family	FSGA

Note:

- Suction force: The specified suction forces are theoretical values at a vacuum of -0.6 bar and with a smooth, dry workpiece surface - they do not include a safety factor
- Pull-off force: The pull-off force of the versions made of natural rubber is reduced by about 40%
- Hose diameter: The recommended hose diameter refers to a hose length of approx. 2 m

Spare Parts

Contact to Schmalz



SA-NIP N018 G1/4-IG DN440

Part no. 10.01.06.01066

Suction cup connection nipple

Nipple: N 018

Thread G1: G1/4-F

Overall length: 28.8 mm

Fitting length: 15 mm

Nominal size: 4,40 mm

Material: Aluminium

Spanner size SW2: 5 mm



FGA 33 HT1-60 N018

Part no. 10.01.06.00873

Bellows suction cup (round) with optimal adaptation to uneven surfaces

Size: 33

Suction cup material:

High temp material HT1

Material hardness: 60 °Sh

Number of folds: 1.5

Material property: imprint-free

Accessories



SPI 32 PEEK

Part no. 10.01.06.03287

Insert disc for preventing film from being drawn in

Size: 32

Material: Polyetheretherketon

Application: FG32/FGA33