

Suction cup connection nipple

SA-NIP N018 G1/4-IG DN440

Part no.: 10.01.06.01066

<https://www.schmalz.com/10.01.06.01066>



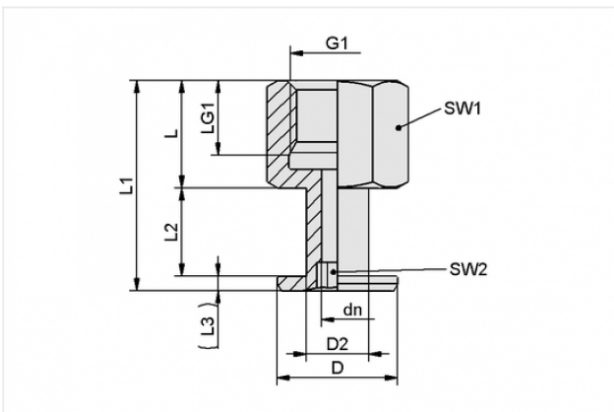
Homepage > Vacuum Technology for Automation > Vacuum Components > Vacuum Suction Cups > Bellows Suction Cups (Round) > SA-NIP N018 G1/4-IG DN440

Suction cup connection nipple



Nipple: N 018
 Thread G1: G1/4-F
 Overall length: 28.8 mm
 Fitting length: 15 mm
 Nominal size: 4,40 mm
 Material: Aluminium
 Spanner size SW2: 5 mm

Design Data



Attribute	Value
dn	4.4 mm
D	14 mm
D2	8.7 mm
G1	G1/4"-F
L	15 mm
L1	28.8 mm
L2	12.3 mm
L3	1.5 mm
LG1	12.4 mm
SW1	17 mm
SW2	5 mm

Contact to Schmalz

J. Schmalz GmbH | Johannes-Schmalz-Straße, 72293 Glatten, Deutschland | +49 7443 2403-102 | customercenter@schmalz.de

Technical Data

Attribute	Value
Nipple	N 018
Material	Aluminium
Weight	7.9 g
