

# Suction cup connection nipple

## SA-NIP N018 G1/4-AG DN440

<https://www.schmalz.com/10.01.06.01065>



Part no.: 10.01.06.01065

Homepage > Vacuum Technology for Automation > Vacuum Components > Vacuum Suction Cups > Bellows Suction Cups (Round) > SA-NIP N018

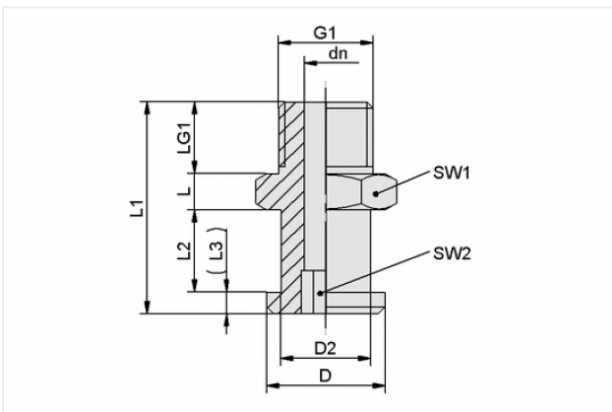
G1/4-AG DN440

## Suction cup connection nipple



Nipple: N 018  
 Thread G1: G1/4-M  
 Overall length: 28.8 mm  
 Fitting length: 4 mm  
 Nominal size: 4,40 mm  
 Material: Aluminium  
 Spanner size SW2: 5 mm

## Design Data



### Attribute Value

dn 4.4 mm

D 14 mm

D2 8.7 mm

G1 G1/4"-M

L 4 mm

L1 28.8 mm

L2 12.3 mm

L3 1.5 mm

LG1 11 mm

SW1 17 mm

SW2 5 mm

## Contact to Schmalz

J. Schmalz GmbH | Johannes-Schmalz-Straße, 72293 Glatten, Deutschland | +49 7443 2403-102 | [customercenter@schmalz.de](mailto:customercenter@schmalz.de)

## Technical Data

Attribute	Value
Nipple	N 018
Material	Aluminium
Weight	7.9 g

---

---