

Bellows suction cup (round)

<https://www.schmalz.com/10.01.06.00378>



FGA 25 NK-45 N016

Part no.: 10.01.06.00378

Homepage > Vacuum Technology for Automation > Vacuum Components > Vacuum Suction Cups > Bellows Suction Cups (Round) > FGA 25

NK-45 N016

Bellows suction cup (round) with optimal adaptation to uneven surfaces



Size: 25

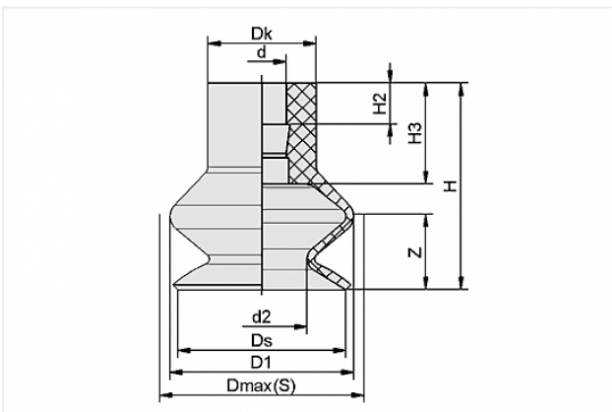
Suction cup material:

Natural Rubber NK

Material hardness: 45 °Sh

Number of folds: 1.5

Design Data



Attribute	Value
-----------	-------

d	4.5 mm
---	--------

d2	9.9 mm
----	--------

D1	25 mm
----	-------

Dk	10 mm
----	-------

Dmax(S)	26.5 mm
---------	---------

Ds	22.5 mm
----	---------

H	23 mm
---	-------

H2	3.8 mm
----	--------

H3	8.9 mm
----	--------

Z	9 mm
---	------

Contact to Schmalz

J. Schmalz GmbH | Johannes-Schmalz-Straße, 72293 Glatten, Deutschland | +49 7443 2403-102 | customercenter@schmalz.de

Technical Data

Attribute	Value
Number of folds	1.5
Suction force	5.3 N
Size	25
Suction cup material	Natural Rubber NK
Weight	2.5 g
Curve radius (min) (convex)	20 mm
Product family	FGA

Accessories



SA-NIP N016 M5-AG DN250

Part no. 10.01.06.00123

Suction cup connection nipple

Nipple: N 016

Thread G1: M5-M

Overall length: 16 mm

Fitting length: 5 mm

Nominal size: 2,50 mm

Material: Aluminium



SA-NIP N016 G1/8-AG DN350

Part no. 10.01.06.05735

Suction cup connection nipple

Nipple: N 016

Thread G1: G1/8-M

Overall length: 20 mm

Fitting length: 6 mm

Nominal size: 3,50 mm

Material: Aluminium

Contact to Schmalz



SA-NIP N016 G1/8-IG DN350

Part no. 10.01.06.05731

Suction cup connection nipple

Nipple: N 016

Thread G1: G1/8-F

Overall length: 18.5 mm

Fitting length: 12 mm

Nominal size: 3,50 mm

Material: Aluminium



SPI 25 PEEK

Part no. 10.01.06.03286

Insert disc for preventing film from being drawn in

Size: 25

Material: Polyetheretherketon

Application: FG25/FGA25