

Bellows suction cup (round)

<https://www.schmalz.com/10.01.06.00398>



FSGA 25 NBR-55 G1/8-IG

Part no.: 10.01.06.00398

Homepage > Vacuum Technology for Automation > Vacuum Components > Vacuum Suction Cups > Bellows Suction Cups (Round) > Bellows

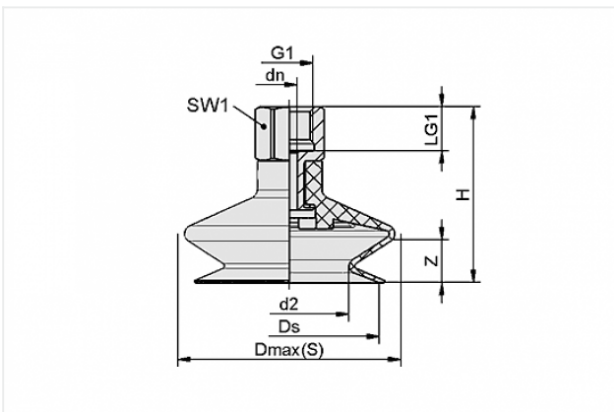
Suction Cups FSGA (1.5 Folds) > FSGA 25 NBR-55 G1/8-IG

Bellows suction cup (round) with optimal adaptation to uneven surfaces



Size: 25
Number of folds: 1.5
Suction cup material:
Nitrile rubber NBR
Material hardness: 55 °Sh
Nipple material: Aluminium
Vacuum connection: G1/8-F

Design Data



Attribute	Value
-----------	-------

d2	9.9 mm
----	--------

Dmax(S)	26.5 mm
---------	---------

dn	3.5 mm
----	--------

Ds	22.5 mm
----	---------

G1	G1/8"-F
----	---------

H	35 mm
---	-------

LG1	8 mm
-----	------

SW1	14 mm
-----	-------

Z	9 mm
---	------

Contact to Schmalz

J. Schmalz GmbH | Johannes-Schmalz-Straße, 72293 Glatten, Deutschland | +49 7443 2403-102 | customercenter@schmalz.de

Technical Data

Attribute	Value
Number of folds	1.5
Pull-off force	17.3 N
Size	25
Weight	6.8 g
Nipple	N 016
Suction cup material	Nitrile rubber NBR
Suction force	5.3 N
Internal hose diameter (recom.)	4 mm
Volume	3.15 cm ³
Material hardness	55 °Sh
Curve radius (min) (convex)	20 mm
Product family	FSGA

Note:

- Suction force: The specified suction forces are theoretical values at a vacuum of -0.6 bar and with a smooth, dry workpiece surface - they do not include a safety factor
- Pull-off force: The pull-off force of the versions made of natural rubber is reduced by about 40%
- Hose diameter: The recommended hose diameter refers to a hose length of approx. 2 m

Spare Parts

Contact to Schmalz



SA-NIP N016 G1/8-IG DN350

Part no. 10.01.06.05731

Suction cup connection nipple

Nipple: N 016

Thread G1: G1/8-F

Overall length: 18.5 mm

Fitting length: 12 mm

Nominal size: 3,50 mm

Material: Aluminium



FGA 25 NBR-55 N016

Part no. 10.01.06.00376

Bellows suction cup (round) with optimal adaptation to uneven surfaces

Size: 25

Suction cup material:

Nitrile rubber NBR

Material hardness: 55 °Sh

Number of folds: 1.5