

# Bellows suction cup (round)

<https://www.schmalz.com/10.01.06.00399>



## FSGA 25 NBR-55 G1/8-AG

Part no.: 10.01.06.00399

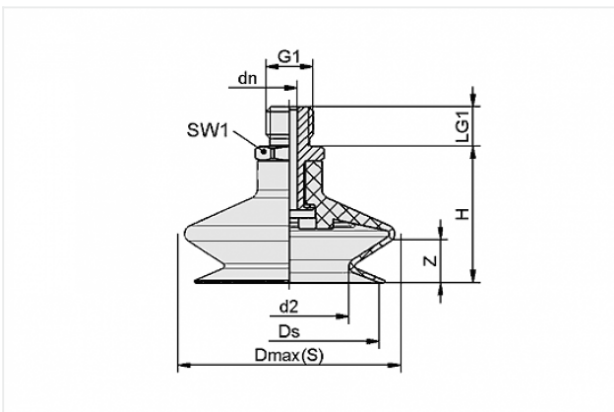
Homepage > Vacuum Technology for Automation > Vacuum Components > Vacuum Suction Cups > Bellows Suction Cups (Round) > Bellows Suction Cups FSGA (1.5 Folds) > FSGA 25 NBR-55 G1/8-AG

### Bellows suction cup (round) with optimal adaptation to uneven surfaces



Size: 25  
Number of folds: 1.5  
Suction cup material:  
Nitrile rubber NBR  
Material hardness: 55 °Sh  
Nipple material: Aluminium  
Vacuum connection: G1/8-M

### Design Data



Attribute	Value
d2	9.9 mm
Dmax(S)	26.5 mm
dn	3.5 mm
Ds	22.5 mm
G1	G1/8"-M
H	29 mm
LG1	7.5 mm
SW1	14 mm
Z	9 mm

### Contact to Schmalz

J. Schmalz GmbH | Johannes-Schmalz-Straße, 72293 Glatten, Deutschland | +49 7443 2403-102 | [customercenter@schmalz.de](mailto:customercenter@schmalz.de)

## Technical Data

Attribute	Value
Number of folds	1.5
Pull-off force	17.3 N
Size	25
Weight	6.4 g
Nipple	N 016
Suction cup material	Nitrile rubber NBR
Suction force	5.3 N
Internal hose diameter (recom.)	4 mm
Volume	3.15 cm <sup>3</sup>
Material hardness	55 °Sh
Curve radius (min) (convex)	20 mm
Product family	FSGA

### Note:

- Suction force: The specified suction forces are theoretical values at a vacuum of -0.6 bar and with a smooth, dry workpiece surface - they do not include a safety factor
- Pull-off force: The pull-off force of the versions made of natural rubber is reduced by about 40%
- Hose diameter: The recommended hose diameter refers to a hose length of approx. 2 m

---

## Spare Parts

### Contact to Schmalz



**SA-NIP N016 G1/8-AG DN350**

Part no. 10.01.06.05735

Suction cup connection nipple

Nipple: N 016

Thread G1: G1/8-M

Overall length: 20 mm

Fitting length: 6 mm

Nominal size: 3,50 mm

Material: Aluminium



**FGA 25 NBR-55 N016**

Part no. 10.01.06.00376

Bellows suction cup (round) with optimal adaptation to uneven surfaces

Size: 25

Suction cup material:

Nitrile rubber NBR

Material hardness: 55 °Sh

Number of folds: 1.5