

Bellows suction cup (round)

<https://www.schmalz.com/10.01.06.00414>



FSGA 22 NK-45 G1/8-AG

Part no.: 10.01.06.00414

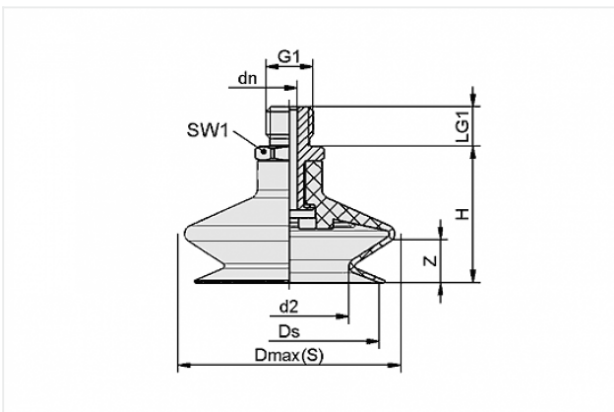
Homepage > Vacuum Technology for Automation > Vacuum Components > Vacuum Suction Cups > Bellows Suction Cups (Round) > Bellows Suction Cups FSGA (1.5 Folds) > FSGA 22 NK-45 G1/8-AG

Bellows suction cup (round) with optimal adaptation to uneven surfaces



Size: 22
Number of folds: 1.5
Suction cup material:
Natural Rubber NK
Material hardness: 45 °Sh
Nipple material: Aluminium
Vacuum connection: G1/8-M

Design Data



Attribute	Value
d2	11.7 mm
Dmax(S)	25 mm
dn	3.5 mm
Ds	21.5 mm
G1	G1/8"-M
H	25 mm
LG1	7.5 mm
SW1	14 mm
Z	6 mm

Contact to Schmalz

J. Schmalz GmbH | Johannes-Schmalz-Straße, 72293 Glatten, Deutschland | +49 7443 2403-102 | customercenter@schmalz.de

Technical Data

Attribute	Value
Number of folds	1.5
Pull-off force	15.2 N
Size	22
Weight	5.8 g
Nipple	N 016
Suction cup material	Natural Rubber NK
Suction force	5.7 N
Internal hose diameter (recom.)	4 mm
Volume	1.4 cm ³
Material hardness	45 °Sh
Curve radius (min) (convex)	25 mm
Product family	FSGA

Note:

- Suction force: The specified suction forces are theoretical values at a vacuum of -0.6 bar and with a smooth, dry workpiece surface - they do not include a safety factor
- Pull-off force: The pull-off force of the versions made of natural rubber is reduced by about 40%
- Hose diameter: The recommended hose diameter refers to a hose length of approx. 2 m

Spare Parts

Contact to Schmalz



SA-NIP N016 G1/8-AG DN350

Part no. 10.01.06.05735

Suction cup connection nipple

Nipple: N 016

Thread G1: G1/8-M

Overall length: 20 mm

Fitting length: 6 mm

Nominal size: 3,50 mm

Material: Aluminium



FGA 22 NK-45 N016

Part no. 10.01.06.00425

Bellows suction cup (round) with optimal adaptation to uneven surfaces

Size: 22

Suction cup material:

Natural Rubber NK

Material hardness: 45 °Sh

Number of folds: 1.5