

# Bellows suction cup (round)

<https://www.schmalz.com/10.01.06.01234>



## FSGA 22 HT1-60 G1/8-IG

Part no.: 10.01.06.01234

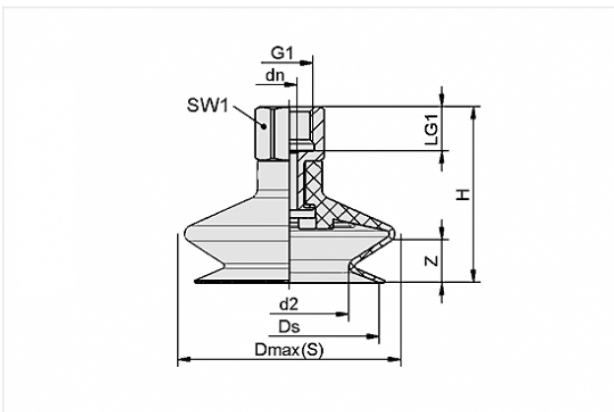
Homepage > Vacuum Technology for Automation > Vacuum Components > Vacuum Suction Cups > Bellows Suction Cups (Round) > Bellows Suction Cups FSGA (1.5 Folds) > FSGA 22 HT1-60 G1/8-IG

### Bellows suction cup (round) with optimal adaptation to uneven surfaces



Size: 22  
Number of folds: 1.5  
Suction cup material:  
High temp material HT1  
Material hardness: 60 °Sh  
Material property: imprint-free  
Nipple material: Aluminium  
Vacuum connection: G1/8-F

#### Design Data



Attribute	Value
-----------	-------

d2	11.7 mm
----	---------

Dmax(S)	25 mm
---------	-------

dn	3.5 mm
----	--------

Ds	21.5 mm
----	---------

G1	G1/8"-F
----	---------

H	31 mm
---	-------

LG1	8 mm
-----	------

SW1	14 mm
-----	-------

Z	6 mm
---	------

#### Contact to Schmalz

J. Schmalz GmbH | Johannes-Schmalz-Straße, 72293 Glatten, Deutschland | +49 7443 2403-102 | [customercenter@schmalz.de](mailto:customercenter@schmalz.de)

## Technical Data

Attribute	Value
Number of folds	1.5
Pull-off force	15.2 N
Size	22
Weight	6.2 g
Nipple	N 016
Suction cup material	High temp material HT1
Suction force	5.7 N
Internal hose diameter (recom.)	4 mm
Volume	1.4 cm <sup>3</sup>
Material hardness	60 °Sh
Curve radius (min) (convex)	25 mm
Product family	FSGA

### Note:

- Suction force: The specified suction forces are theoretical values at a vacuum of -0.6 bar and with a smooth, dry workpiece surface - they do not include a safety factor
- Pull-off force: The pull-off force of the versions made of natural rubber is reduced by about 40%
- Hose diameter: The recommended hose diameter refers to a hose length of approx. 2 m

---

## Spare Parts

### Contact to Schmalz



**SA-NIP N016 G1/8-IG DN350**

Part no. 10.01.06.05731

Suction cup connection nipple

Nipple: N 016

Thread G1: G1/8-F

Overall length: 18.5 mm

Fitting length: 12 mm

Nominal size: 3,50 mm

Material: Aluminium



**FGA 22 HT1-60 N016**

Part no. 10.01.06.01249

Bellows suction cup (round) with optimal adaptation to uneven surfaces

Size: 22

Suction cup material:

High temp material HT1

Material hardness: 60 °Sh

Number of folds: 1.5

Material property: imprint-free

**Accessories**



**SPI 21 PEEK**

Part no. 10.01.06.03285

Insert disc for preventing film from being drawn in

Size: 21

Material: Polyetheretherketon

Application: FG20/FGA22