

Bellows suction cup (round)

<https://www.schmalz.com/10.01.06.00087>



FSGA 16 SI-55 G1/8-AG

Part no.: 10.01.06.00087

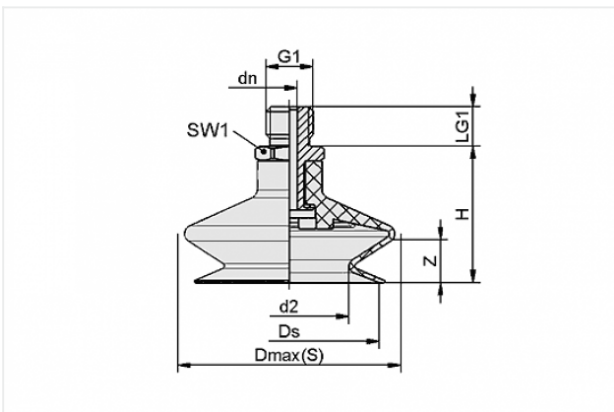
Homepage > Vacuum Technology for Automation > Vacuum Components > Vacuum Suction Cups > Bellows Suction Cups (Round) > Bellows Suction Cups FSGA (1.5 Folds) > FSGA 16 SI-55 G1/8-AG

Bellows suction cup (round) with optimal adaptation to uneven surfaces



Size: 16
Number of folds: 1.5
Suction cup material: Silicone SI
Material hardness: 55 °Sh
Material characteristics:
FDA-compatible
Nipple material: Aluminium
Vacuum connection: G1/8-M

Design Data



Attribute	Value
-----------	-------

d2	8.4 mm
----	--------

Dmax(S)	18.5 mm
---------	---------

dn	3.5 mm
----	--------

Ds	15.6 mm
----	---------

G1	G1/8"-M
----	---------

H	25.2 mm
---	---------

LG1	7.5 mm
-----	--------

SW1	14 mm
-----	-------

Z	7 mm
---	------

Contact to Schmalz

J. Schmalz GmbH | Johannes-Schmalz-Straße, 72293 Glatten, Deutschland | +49 7443 2403-102 | customercenter@schmalz.de

Technical Data

Attribute	Value
Number of folds	1.5
Pull-off force	6.7 N
Size	16
Weight	5 g
Nipple	N 016
Suction cup material	Silicone SI
Suction force	2.3 N
Internal hose diameter (recom.)	4 mm
Volume	0.75 cm ³
Material hardness	55 °Sh
Curve radius (min) (convex)	20 mm
Product family	FSGA

Note:

- Suction force: The specified suction forces are theoretical values at a vacuum of -0.6 bar and with a smooth, dry workpiece surface - they do not include a safety factor
- Pull-off force: The pull-off force of the versions made of natural rubber is reduced by about 40%
- Hose diameter: The recommended hose diameter refers to a hose length of approx. 2 m

Spare Parts

Contact to Schmalz



SA-NIP N016 G1/8-AG DN350

Part no. 10.01.06.05735

Suction cup connection nipple

Nipple: N 016

Thread G1: G1/8-M

Overall length: 20 mm

Fitting length: 6 mm

Nominal size: 3,50 mm

Material: Aluminium



FGA 16 SI-55 N016

Part no. 10.01.06.00099

Bellows suction cup (round) with optimal adaptation to uneven surfaces

Size: 16

Suction cup material: Silicone SI

Material hardness: 55 °Sh

Material characteristics:

FDA-compatible

Number of folds: 1.5