

# Bellows suction cup (round)

<https://www.schmalz.com/10.01.06.00077>



## FSGA 16 NBR-55 G1/8-AG

Part no.: 10.01.06.00077

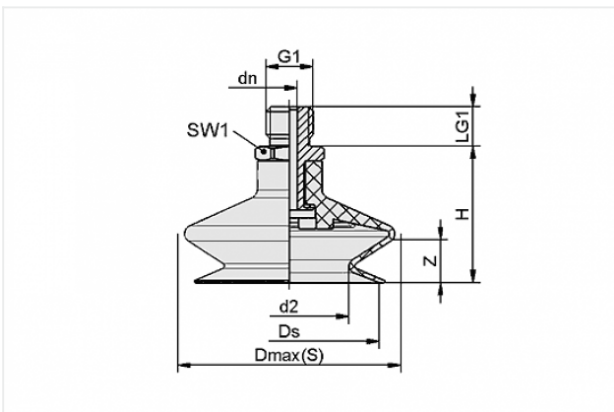
Homepage > Vacuum Technology for Automation > Vacuum Components > Vacuum Suction Cups > Bellows Suction Cups (Round) > Bellows Suction Cups FSGA (1.5 Folds) > FSGA 16 NBR-55 G1/8-AG

### Bellows suction cup (round) with optimal adaptation to uneven surfaces



Size: 16  
Number of folds: 1.5  
Suction cup material:  
Nitrile rubber NBR  
Material hardness: 55 °Sh  
Nipple material: Aluminium  
Vacuum connection: G1/8-M

#### Design Data



Attribute	Value
-----------	-------

d2	8.4 mm
----	--------

Dmax(S)	18.5 mm
---------	---------

dn	3.5 mm
----	--------

Ds	15.6 mm
----	---------

G1	G1/8"-M
----	---------

H	25.2 mm
---	---------

LG1	7.5 mm
-----	--------

SW1	14 mm
-----	-------

Z	7 mm
---	------

#### Contact to Schmalz

J. Schmalz GmbH | Johannes-Schmalz-Straße, 72293 Glatten, Deutschland | +49 7443 2403-102 | [customercenter@schmalz.de](mailto:customercenter@schmalz.de)

## Technical Data

Attribute	Value
Number of folds	1.5
Pull-off force	6.7 N
Size	16
Weight	5 g
Nipple	N 016
Suction cup material	Nitrile rubber NBR
Suction force	2.3 N
Internal hose diameter (recom.)	4 mm
Volume	0.75 cm <sup>3</sup>
Material hardness	55 °Sh
Curve radius (min) (convex)	20 mm
Product family	FSGA

### Note:

- Suction force: The specified suction forces are theoretical values at a vacuum of -0.6 bar and with a smooth, dry workpiece surface - they do not include a safety factor
- Pull-off force: The pull-off force of the versions made of natural rubber is reduced by about 40%
- Hose diameter: The recommended hose diameter refers to a hose length of approx. 2 m

---

## Spare Parts

### Contact to Schmalz



**SA-NIP N016 G1/8-AG DN350**

Part no. 10.01.06.05735

Suction cup connection nipple

Nipple: N 016

Thread G1: G1/8-M

Overall length: 20 mm

Fitting length: 6 mm

Nominal size: 3,50 mm

Material: Aluminium



**FGA 16 NBR-55 N016**

Part no. 10.01.06.00096

Bellows suction cup (round) with optimal adaptation to uneven surfaces

Size: 16

Suction cup material:

Nitrile rubber NBR

Material hardness: 55 °Sh

Number of folds: 1.5