

# Bellows suction cup (round)

<https://www.schmalz.com/10.01.06.00868>



## FGA 14 HT1-60 N016

Part no.: 10.01.06.00868

Homepage > Vacuum Technology for Automation > Vacuum Components > Vacuum Suction Cups > Bellows Suction Cups (Round) > FGA 14

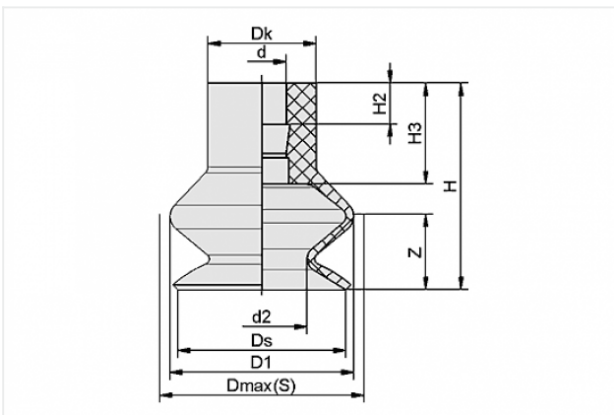
HT1-60 N016

## Bellows suction cup (round) with optimal adaptation to uneven surfaces



Size: 14  
Suction cup material:  
High temp material HT1  
Material hardness: 60 °Sh  
Number of folds: 1.5  
Material property: imprint-free

### Design Data



Attribute	Value
d	4.5 mm
d2	5 mm
D1	13.7 mm
Dk	10 mm
Dmax(S)	14.5 mm
Ds	12.5 mm
H	15.5 mm
H2	3.8 mm
H3	8.5 mm
Z	4 mm

### Contact to Schmalz

J. Schmalz GmbH | Johannes-Schmalz-Straße, 72293 Glatten, Deutschland | +49 7443 2403-102 | [customercenter@schmalz.de](mailto:customercenter@schmalz.de)

## Technical Data

Attribute	Value
Number of folds	1.5
Suction force	1.2 N
Size	14
Suction cup material	High temp material HT1
Weight	1.1 g
Curve radius (min) (convex)	12.5 mm
Product family	FGA

## Accessories



### SA-NIP N016 M5-AG DN250

Part no. 10.01.06.00123

Suction cup connection nipple

Nipple: N 016

Thread G1: M5-M

Overall length: 16 mm

Fitting length: 5 mm

Nominal size: 2,50 mm

Material: Aluminium



### SA-NIP N016 G1/8-AG DN350

Part no. 10.01.06.05735

Suction cup connection nipple

Nipple: N 016

Thread G1: G1/8-M

Overall length: 20 mm

Fitting length: 6 mm

Nominal size: 3,50 mm

Material: Aluminium

## Contact to Schmalz



**SA-NIP N016 G1/8-IG DN350**

Part no. 10.01.06.05731

Suction cup connection nipple

Nipple: N 016

Thread G1: G1/8-F

Overall length: 18.5 mm

Fitting length: 12 mm

Nominal size: 3,50 mm

Material: Aluminium



**SPI 14 PEEK**

Part no. 10.01.06.03282

Insert disc for preventing film from being drawn in

Size: 14

Material: Polyetheretherketon

Application: FG12/FG14/FGA14