

# Bellows suction cup (round)

<https://www.schmalz.com/10.01.06.00086>



## FSGA 11 SI-55 M5-AG

Part no.: 10.01.06.00086

Homepage > Vacuum Technology for Automation > Vacuum Components > Vacuum Suction Cups > Bellows Suction Cups (Round) > FSGA 11

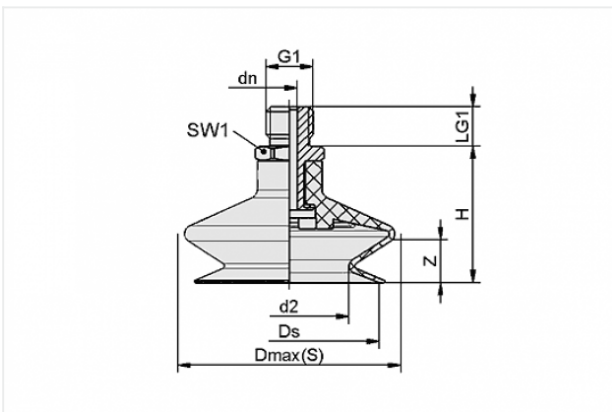
SI-55 M5-AG

### Bellows suction cup (round) with optimal adaptation to uneven surfaces



Size: 11  
Number of folds: 1.5  
Suction cup material: Silicone SI  
Material hardness: 55 °Sh  
Material characteristics:  
FDA-compatible  
Nipple material: Aluminium  
Vacuum connection: M5-M

### Design Data



Attribute	Value
d2	5.1 mm
Dmax(S)	13 mm
dn	2.5 mm
Ds	10.4 mm
G1	M5-M
H	21 mm
LG1	5 mm
SW1	7 mm
Z	4 mm

### Contact to Schmalz

J. Schmalz GmbH | Johannes-Schmalz-Straße, 72293 Glatten, Deutschland | +49 7443 2403-102 | [customercenter@schmalz.de](mailto:customercenter@schmalz.de)

## Technical Data

Attribute	Value
Number of folds	1.5
Pull-off force	3.8 N
Size	11
Weight	2 g
Nipple	N 016
Suction cup material	Silicone SI
Suction force	0.95 N
Internal hose diameter (recom.)	2 mm
Volume	0.225 cm <sup>3</sup>
Material hardness	55 °Sh
Curve radius (min) (convex)	10 mm
Product family	FSGA

## Spare Parts



### SA-NIP N016 M5-AG DN250

Part no. 10.01.06.00123

Suction cup connection nipple

Nipple: N 016

Thread G1: M5-M

Overall length: 16 mm

Fitting length: 5 mm

Nominal size: 2,50 mm

Material: Aluminium



**FGA 11 SI-55 N016**

Part no. 10.01.06.00098

Bellows suction cup (round) with optimal adaptation to uneven surfaces

Size: 11

Suction cup material: Silicone SI

Material hardness: 55 °Sh

Material characteristics:

FDA-compatible

Number of folds: 1.5