

Bellows suction cup (round)

<https://www.schmalz.com/10.01.06.00085>



FSGA 11 SI-55 G1/8-AG

Part no.: 10.01.06.00085

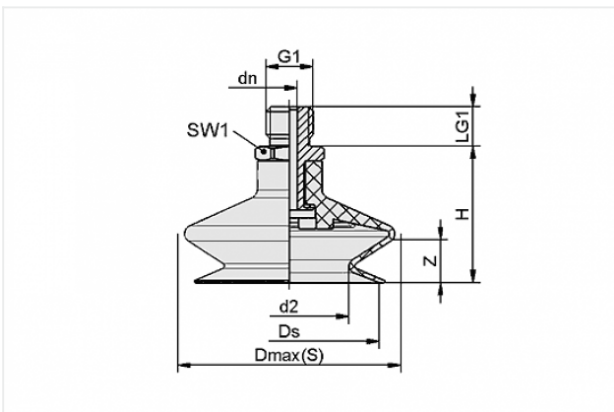
Homepage > Vacuum Technology for Automation > Vacuum Components > Vacuum Suction Cups > Bellows Suction Cups (Round) > Bellows Suction Cups FSGA (1.5 Folds) > FSGA 11 SI-55 G1/8-AG

Bellows suction cup (round) with optimal adaptation to uneven surfaces



Size: 11
Number of folds: 1.5
Suction cup material: Silicone SI
Material hardness: 55 °Sh
Material characteristics:
FDA-compatible
Nipple material: Aluminium
Vacuum connection: G1/8-M

Design Data



| Attribute | Value |
|-----------|-------|
|-----------|-------|

| | |
|----|--------|
| d2 | 5.1 mm |
|----|--------|

| | |
|---------|-------|
| Dmax(S) | 13 mm |
|---------|-------|

| | |
|----|--------|
| dn | 3.5 mm |
|----|--------|

| | |
|----|---------|
| Ds | 10.4 mm |
|----|---------|

| | |
|----|---------|
| G1 | G1/8"-M |
|----|---------|

| | |
|---|-------|
| H | 22 mm |
|---|-------|

| | |
|-----|--------|
| LG1 | 7.5 mm |
|-----|--------|

| | |
|-----|-------|
| SW1 | 14 mm |
|-----|-------|

| | |
|---|------|
| Z | 4 mm |
|---|------|

Contact to Schmalz

J. Schmalz GmbH | Johannes-Schmalz-Straße, 72293 Glatten, Deutschland | +49 7443 2403-102 | customercenter@schmalz.de

Technical Data

| Attribute | Value |
|---------------------------------|-----------------------|
| Number of folds | 1.5 |
| Pull-off force | 3.8 N |
| Size | 11 |
| Weight | 4.7 g |
| Nipple | N 016 |
| Suction cup material | Silicone SI |
| Suction force | 0.95 N |
| Internal hose diameter (recom.) | 4 mm |
| Volume | 0.225 cm ³ |
| Material hardness | 55 °Sh |
| Curve radius (min) (convex) | 10 mm |
| Product family | FSGA |

Note:

- Suction force: The specified suction forces are theoretical values at a vacuum of -0.6 bar and with a smooth, dry workpiece surface - they do not include a safety factor
- Pull-off force: The pull-off force of the versions made of natural rubber is reduced by about 40%
- Hose diameter: The recommended hose diameter refers to a hose length of approx. 2 m

Spare Parts

Contact to Schmalz



SA-NIP N016 G1/8-AG DN350

Part no. 10.01.06.05735

Suction cup connection nipple

Nipple: N 016

Thread G1: G1/8-M

Overall length: 20 mm

Fitting length: 6 mm

Nominal size: 3,50 mm

Material: Aluminium



FGA 11 SI-55 N016

Part no. 10.01.06.00098

Bellows suction cup (round) with optimal adaptation to uneven surfaces

Size: 11

Suction cup material: Silicone SI

Material hardness: 55 °Sh

Material characteristics:

FDA-compatible

Number of folds: 1.5