

Bellows suction cup (round)

<https://www.schmalz.com/10.01.06.00076>



FSGA 11 NBR-55 M5-AG

Part no.: 10.01.06.00076

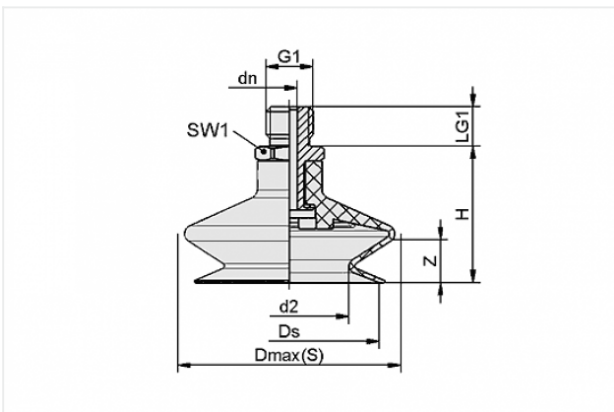
Homepage > Vacuum Technology for Automation > Vacuum Components > Vacuum Suction Cups > Bellows Suction Cups (Round) > FSGA 11 NBR-55 M5-AG

Bellows suction cup (round) with optimal adaptation to uneven surfaces



Size: 11
Number of folds: 1.5
Suction cup material:
Nitrile rubber NBR
Material hardness: 55 °Sh
Nipple material: Aluminium
Vacuum connection: M5-M

Design Data



Attribute	Value
-----------	-------

d2	5.1 mm
----	--------

Dmax(S)	13 mm
---------	-------

dn	2.5 mm
----	--------

Ds	10.4 mm
----	---------

G1	M5-M
----	------

H	21 mm
---	-------

LG1	5 mm
-----	------

SW1	7 mm
-----	------

Z	4 mm
---	------

Contact to Schmalz

J. Schmalz GmbH | Johannes-Schmalz-Straße, 72293 Glatten, Deutschland | +49 7443 2403-102 | customercenter@schmalz.de

Technical Data

Attribute	Value
Number of folds	1.5
Pull-off force	3.8 N
Size	11
Weight	2 g
Nipple	N 016
Suction cup material	Nitrile rubber NBR
Suction force	0.95 N
Internal hose diameter (recom.)	2 mm
Volume	0.225 cm ³
Material hardness	55 °Sh
Curve radius (min) (convex)	10 mm
Product family	FSGA

Spare Parts



SA-NIP N016 M5-AG DN250

Part no. 10.01.06.00123

Suction cup connection nipple

Nipple: N 016

Thread G1: M5-M

Overall length: 16 mm

Fitting length: 5 mm

Nominal size: 2,50 mm

Material: Aluminium



FGA 11 NBR-55 N016

Part no. 10.01.06.00095

Bellows suction cup (round) with optimal adaptation to uneven surfaces

Size: 11

Suction cup material:

Nitrile rubber NBR

Material hardness: 55 °Sh

Number of folds: 1.5