

Multi-Clamp Suction plate

VC-M-SPV 200x55

Part no.: 10.01.12.02009

<https://www.schmalz.com/10.01.12.02009>



Homepage > Vacuum Clamping Technology > Clamping Solutions for Woodworking > Clamping Solutions for Manual Work > Accessories and Spare Parts > VC-M-SPV 200x55

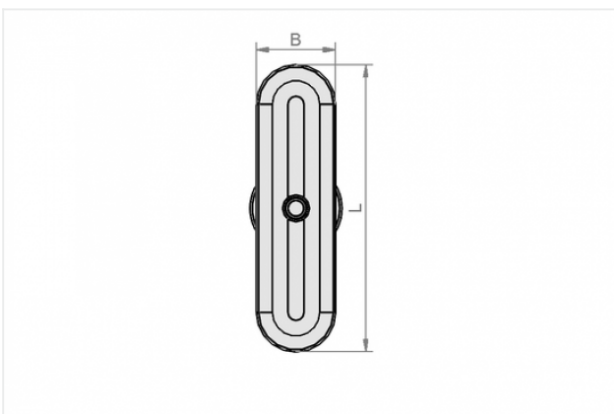
Multi-Clamp Suction plate



Length L: 200 mm

Width B: 55 mm

Design Data



Attribute	Value
-----------	-------

B	55 mm
---	-------

L	200 mm
---	--------

Technical Data

Attribute	Value
-----------	-------

Weight	0.85 kg
--------	---------

Contact to Schmalz

J. Schmalz GmbH | Johannes-Schmalz-Straße, 72293 Glatten, Deutschland | +49 7443 2403-102 | customercenter@schmalz.de



Contact to Schmalz

J. Schmalz GmbH | Johannes-Schmalz-Straße, 72293 Glatten, Deutschland | +49 7443 2403-102 |
customercenter@schmalz.de