

# Multi-Clamp Suction plate

VC-M-SP 200x55

Part no.: 10.01.12.02003

<https://www.schmalz.com/10.01.12.02003>



Homepage > Vacuum Clamping Technology > Clamping Solutions for Woodworking > Clamping Solutions for Manual Work > Accessories and Spare Parts > VC-M-SP 200x55

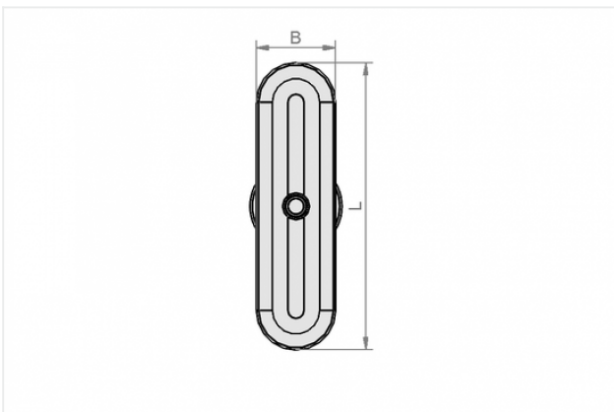
## Multi-Clamp Suction plate with integrated vacuum generation



Length L: 200 mm

Width B: 55 mm

### Design Data



Attribute	Value
-----------	-------

B	55 mm
---	-------

L	200 mm
---	--------

### Technical Data

Attribute	Value
-----------	-------

Weight	0.826 kg
--------	----------

### Contact to Schmalz

J. Schmalz GmbH | Johannes-Schmalz-Straße, 72293 Glatten, Deutschland | +49 7443 2403-102 | [customercenter@schmalz.de](mailto:customercenter@schmalz.de)



---

### Contact to Schmalz

J. Schmalz GmbH | Johannes-Schmalz-Straße, 72293 Glatten, Deutschland | +49 7443 2403-102 |  
customercenter@schmalz.de