

# Multi-Base

## VC-M-B 170x165x209

<https://www.schmalz.com/10.01.12.01854>



Part no.: 10.01.12.01854

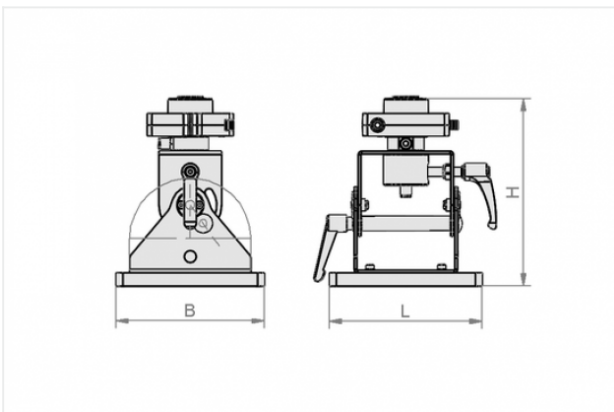
Homepage > Vacuum Clamping Technology > Clamping Solutions for Woodworking > Clamping Solutions for Manual Work > Accessories and Spare Parts > VC-M-B 170x165x209

### Turning and slewing device Base



Length L: 170 mm  
Width B: 165 mm  
Height H: 209 mm

### Design Data



| Attribute | Value |
|-----------|-------|
|-----------|-------|

|   |        |
|---|--------|
| B | 165 mm |
|---|--------|

|   |        |
|---|--------|
| H | 209 mm |
|---|--------|

|   |        |
|---|--------|
| L | 170 mm |
|---|--------|

### Technical Data

| Attribute | Value |
|-----------|-------|
|-----------|-------|

|        |          |
|--------|----------|
| Weight | 4.701 kg |
|--------|----------|

### Contact to Schmalz

J. Schmalz GmbH | Johannes-Schmalz-Straße, 72293 Glatten, Deutschland | +49 7443 2403-102 | [customercenter@schmalz.de](mailto:customercenter@schmalz.de)

## Accessories



### **VC-M-SP 160x160**

Part no. 10.01.12.01836

Multi-Clamp Suction plate with integrated vacuum generation

Length L: 160 mm

Width B: 160 mm



### **ZUB VC-M für Ejektorbetrieb**

Part no. 10.01.12.02061

Accessories

for: Multi-Clamp

Type: für Ejektorbetrieb