

Multi-Clamp

VC-M 165x165x220.5

<https://www.schmalz.com/10.01.12.01845>



Part no.: 10.01.12.01845

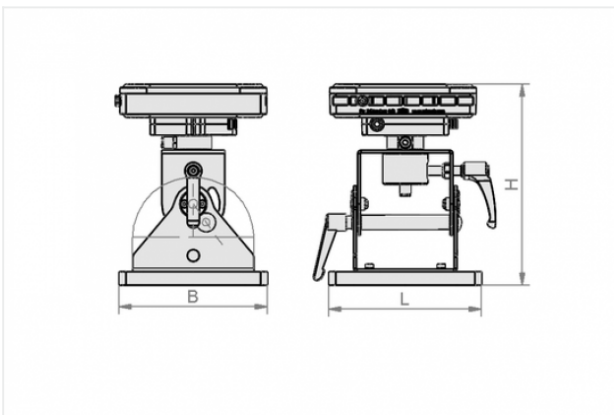
Homepage > Vacuum Clamping Technology > Clamping Solutions for Woodworking > Clamping Solutions for Manual Work > Multi-Clamp with Integrated Vacuum Generation > VC-M 165x165x220.5

Vacuum clamping system Multi-Clamp with integrated vacuum generation



Length L: 165 mm
Width B: 165 mm
Height H: 220.5 mm

Design Data



Attribute	Value
-----------	-------

B	165 mm
---	--------

H	220.5 mm
---	----------

L	165 mm
---	--------

Technical Data

Attribute	Value
-----------	-------

Weight	5.762 kg
--------	----------

Contact to Schmalz

J. Schmalz GmbH | Johannes-Schmalz-Straße, 72293 Glatten, Deutschland | +49 7443 2403-102 | customercenter@schmalz.de

Accessories



VC-M-SP 160x160

Part no. 10.01.12.01836

Multi-Clamp Suction plate with integrated vacuum generation

Length L: 160 mm

Width B: 160 mm



VC-M-SP 300x100

Part no. 10.01.12.02052

Multi-Clamp Suction plate with integrated vacuum generation

Length L: 300 mm

Width B: 100 mm



VC-M-SP 200x55

Part no. 10.01.12.02003

Multi-Clamp Suction plate with integrated vacuum generation

Length L: 200 mm

Width B: 55 mm



VC-M-SP 210

Part no. 10.01.12.02002

Multi-Clamp Suction plate with integrated vacuum generation

External diameter D: 210 mm



ZUB VC-M für Ejektorbetrieb

Part no. 10.01.12.02061

Accessories

for: Multi-Clamp

Type: für Ejektorbetrieb



REIB-INS 8.1x18 VC-M

Part no. 10.01.12.02000

Friction Pad

External diameter D: 8.1 mm

Height H: 18 mm

for: Multi-Clamp



DI-PROF 8x10.5 MOS EPDM-15

Part no. 10.01.12.02056

Sealing section for construction of specific gripper solutions

Width B: 8 mm

Height H: 10.5 mm

Material-Type: Foam rubber

Sealing material: EPDM

Material hardness: 15 °Sh