

Magnetic stop ISMA 80x50x120

Part no.: 10.01.15.00014

<https://www.schmalz.com/10.01.15.00014>



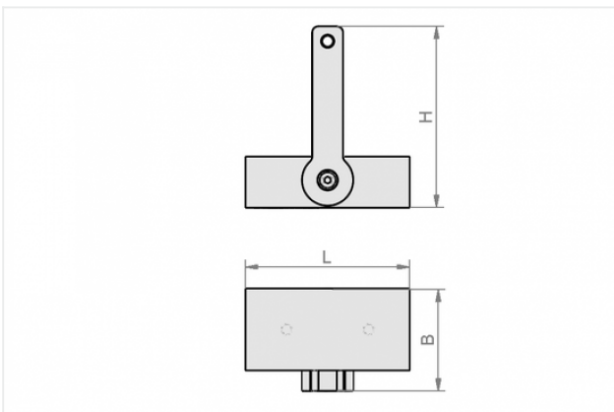
Homepage > Vacuum Clamping Technology > Clamping Solutions for Woodworking > Modernization of CNC Machining Centers > Accessories and Spare Parts > ISMA 80x50x120

Magnetic stop for clamping system Innospann



Length: 80 mm
Width: 50 mm
Height: 120 mm

Design Data



Attribute	Value
-----------	-------

B	50 mm
---	-------

H	120 mm
---	--------

L	80 mm
---	-------

Contact to Schmalz

J. Schmalz GmbH | Johannes-Schmalz-Straße, 72293 Glatten, Deutschland | +49 7443 2403-102 | customercenter@schmalz.de