

Sealing frame

ISDR 100x100x12 Cup 100

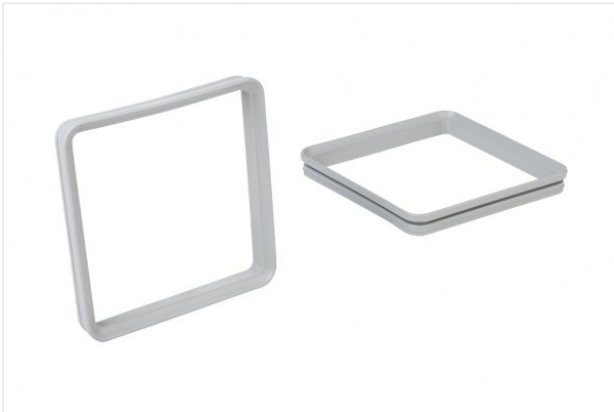
<https://www.schmalz.com/10.01.15.00404>



Part no.: 10.01.15.00404

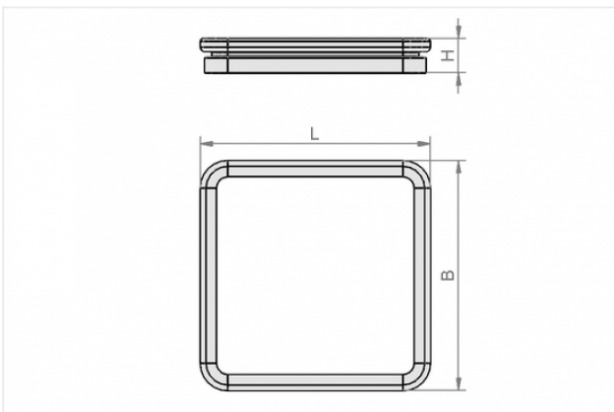
Homepage > Vacuum Clamping Technology > Clamping Solutions for Woodworking > Modernization of CNC Machining Centers > Accessories and Spare Parts > ISDR 100x100x12 Cup 100

Sealing frame



Length L: 100 mm
Width B: 100 mm
Height H: 12 mm
Type: Cup 100

Design Data



| Attribute | Value |
|-----------|-------|
|-----------|-------|

| | |
|---|--------|
| B | 100 mm |
|---|--------|

| | |
|---|-------|
| H | 12 mm |
|---|-------|

| | |
|---|--------|
| L | 100 mm |
|---|--------|

Contact to Schmalz

J. Schmalz GmbH | Johannes-Schmalz-Straße, 72293 Glatten, Deutschland | +49 7443 2403-102 | customercenter@schmalz.de