

# Cup

## ISCUP 80x80x45 AS

Part no.: 10.01.15.00195

<https://www.schmalz.com/10.01.15.00195>



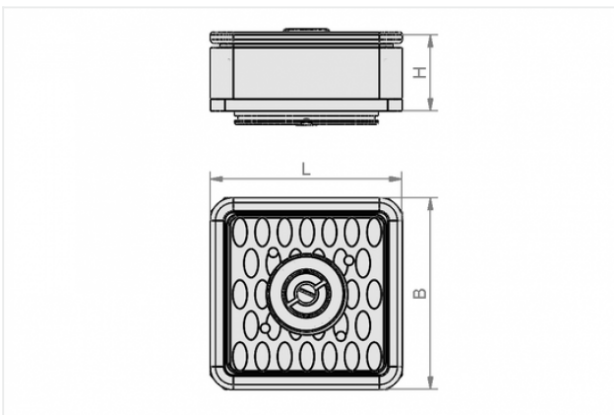
Homepage > Vacuum Clamping Technology > Clamping Solutions for Woodworking > Modernization of CNC Machining Centers > Accessories and Spare Parts > ISCUP 80x80x45 AS

### Suction cup for Innospann



Dimensions (LxB): 80 x 80 mm  
Height H: 45 mm  
with: Lifting system

### Design Data



Attribute	Value
-----------	-------

B	80 mm
---	-------

H	45 mm
---	-------

L	80 mm
---	-------

### Technical Data

Attribute	Value
-----------	-------

Weight	0.4 kg
--------	--------

### Contact to Schmalz

J. Schmalz GmbH | Johannes-Schmalz-Straße, 72293 Glatten, Deutschland | +49 7443 2403-102 | [customercenter@schmalz.de](mailto:customercenter@schmalz.de)



---

### Contact to Schmalz

J. Schmalz GmbH | Johannes-Schmalz-Straße, 72293 Glatten, Deutschland | +49 7443 2403-102 |  
customercenter@schmalz.de