

Cup

ISCUP 80x80x30 AS

Part no.: 10.01.15.00266

<https://www.schmalz.com/10.01.15.00266>



Homepage > Vacuum Clamping Technology > Clamping Solutions for Woodworking > Modernization of CNC Machining Centers > Accessories and Spare Parts > ISCUP 80x80x30 AS

Suction cup for Innospann

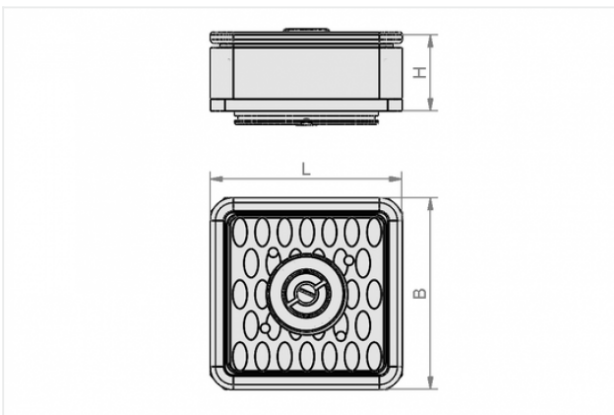


Dimensions (LxB): 80 x 80 mm

Height H: 30 mm

with: Lifting system

Design Data



Attribute	Value
-----------	-------

B	80 mm
---	-------

H	30 mm
---	-------

L	80 mm
---	-------

Technical Data

Attribute	Value
-----------	-------

Weight	0.344 kg
--------	----------

Contact to Schmalz

J. Schmalz GmbH | Johannes-Schmalz-Straße, 72293 Glatten, Deutschland | +49 7443 2403-102 | customercenter@schmalz.de

