

Cup

ISCUP Cup 100 100x100x30 TV

Part no.: 10.01.15.00405

<https://www.schmalz.com/10.01.15.00405>



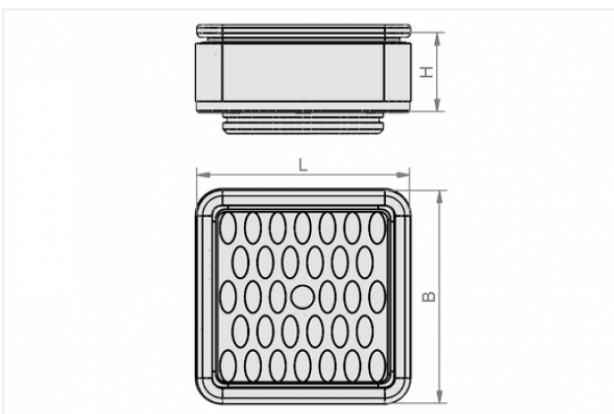
Homepage > Vacuum Clamping Technology > Clamping Solutions for Woodworking > Modernization of CNC Machining Centers > Accessories and Spare Parts > ISCUP Cup 100 100x100x30 TV

Suction cup for Innospann



Dimensions (LxB): 100 x 100 mm
Height H: 30 mm
with: Sensing valve

Design Data



Attribute	Value
-----------	-------

B	100 mm
---	--------

H	30 mm
---	-------

L	100 mm
---	--------

Technical Data

Attribute	Value
-----------	-------

Weight	0.198 kg
--------	----------

Contact to Schmalz

J. Schmalz GmbH | Johannes-Schmalz-Straße, 72293 Glatten, Deutschland | +49 7443 2403-102 | customercenter@schmalz.de

Spare Parts



TV D11 4.3

Part no. 10.01.15.00347

Touch valve for deactivation of unused suction cups or vacuum blocks

External diameter D: 11 mm

Spring stroke Z: 4.3 mm